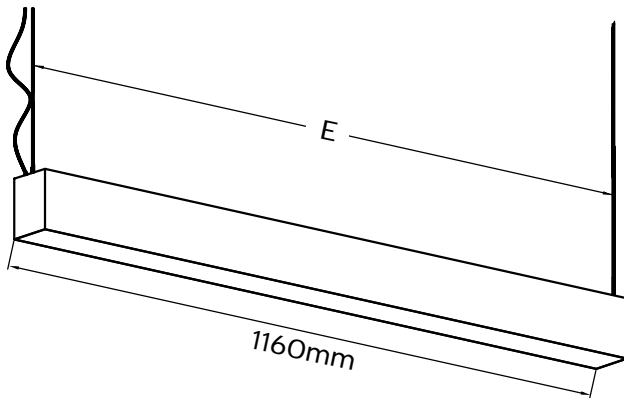
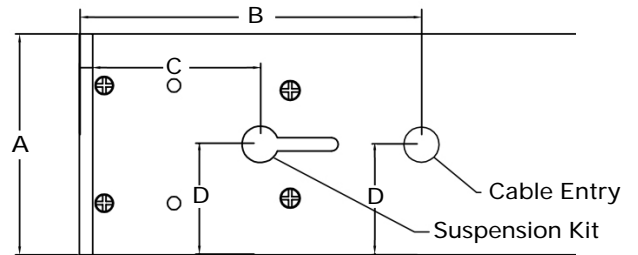


## WARNING

1. To avoid electric shock, disconnect power at source prior to installation.
2. The installation should be performed by qualified electricians or lighting technicians.
3. Before conducting any installation, maintenance, or removal, disable all power to the luminaires and wait until the fixture cools down.
4. Do not touch the fixture while it is in service.
5. If there is any problem with the fixture, DO turn off power and DO NOT attempt repair unless you are a qualified technician or the customer service member.

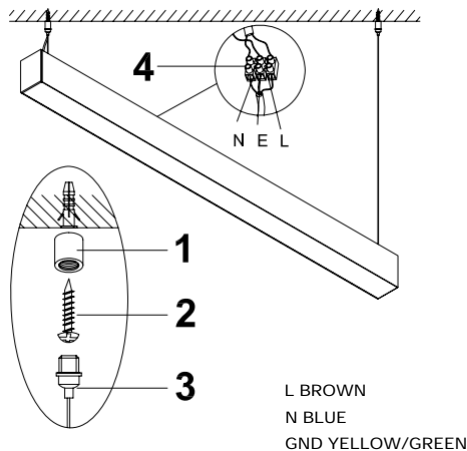


## LEFT BACK VIEW OF FITTING



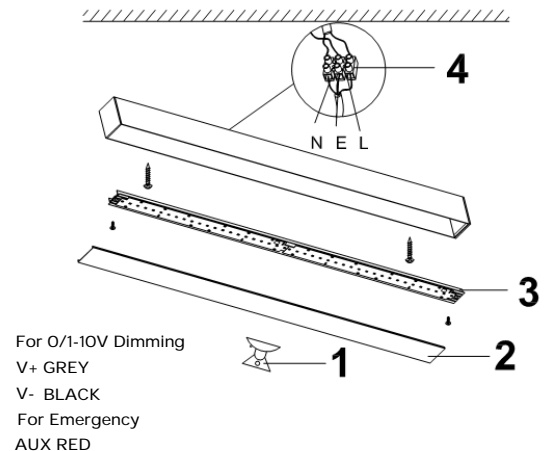
A	66mm
B	104mm
C	70mm
D	33mm
E	1038mm

## Suspended Installation



- Unscrew the mounting connector bottom (3) from the pre-assembled mounting connector.
- Drill mounting holes onto ceiling and install the mounting connector head (1) onto ceiling by screwing the tapping screws (2) provided into appropriately sized mounting screws and anchors. Ensure the mounting screws and anchors used are suitable for the mounting surface.
- Screw the mounting connector bottom (3) back to the mounting connector head. Ensure screws are tightened.
- Connect the mains supply wire to the fitting mains wire. Ensure that wires are secure and no bare wires are exposed.

## Surface Mounted Installation



- Remove diffuser with plastic sucker (1) provided.
- Remove the LED tray by loosening the screws; Connect the mains supply.
- Place light fitting onto ceiling and mark/drill ceiling holes at the same position as where the head of the teardrop holes are.
- Install the fitting onto ceiling by screwing bolts into the mounting holes until they stay but not tightened. Push the light fitting to the tail of the teardrop holes and fasten fitting onto ceiling by tightened the bolts.
- Screw LED tray (3) back to the fitting. Place the diffuser (2) back onto the fitting.

Luminaire must be operated within an ambient fixture temperature of -20°C to 50°C to comply with all safety and warranty regulations. Ensure sufficient air flow around the luminaire for efficient heat dissipation. Failure to do so could significantly reduce luminaire life and/or safety/warranty regulations.

**NOTE: Installation of LED luminaire with modification to the unit, or incorrect fitting in accordance with the above instructions could result in damage/failure of the luminaire, which may invalidate warranty.**