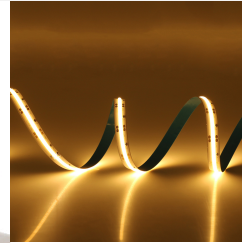


**COB LED Strip (5M ROLL) LED Tape Light - No Spotting / Spotless - 8W/m 24V DC Single Colour IP21**

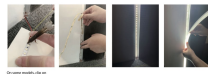
**£37.00**

**24V DC**

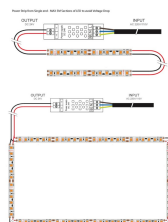
**5M Roll  
8W/m  
320leds/m**



DRIVER SELECTION GUIDE		
Total Length of Strip (m)	Total Load (Watts)	Driver Size (Watts)
1m	8W	50W
2m	16W	50W
3m	24W	50W
4m	32W	60W
5m	40W	60W
6m	48W	100W
7m	56W	100W
8m	64W	100W
9m	72W	150W
10m	80W	150W
11m	88W	150W
12m	96W	150W
13m	104W	150W



Cut at cut points only



**PRODUCT INFORMATION**

LED Type	COB
Warranty	3 Year Warranty
Part L Compliant	No
Dimensions	5m x 8mm x 1.6mm
Weight	0.087kg

**TECHNICAL SPECIFICATIONS**

Power Consumption	8W/m
Input Voltage	24V DC
Operating Temperature	-20°C to 50°C
Ingress Protection	IP21

**LUMEN PERFORMANCE**

Beam Angle	180°
LED Quantity	320LED/m
Lumen Output	840lm/m

## PRODUCT INFORMATION

## TECHNICAL SPECIFICATIONS

## LUMEN PERFORMANCE

### AVAILABLE OPTIONS

Colour Temperature	Warm White 2700K-3000K Natural White 4000K-4500K Cool White 6500-7000K
3-Hour Emergency Version	No
Built-in Microwave Occupancy Detector	No
1-10V Dimmable	With Compatible Driver
DALI Dimmable	With Compatible Driver
DMX 512 Compatible	Yes (via External DMX Decoder)

**\*\*PLEASE NOTE LED STRIP IS EXTREMELY FRAGILE AND REQUIRES PROFESSIONAL INSTALLATION. PRODUCT SHOULD BE ORDERED/INSTALLED BY A QUALIFIED ELECTRIAN EXPERIENCED WITH LED STRIP/LOW VOLTAGE SYSTEMS.\*\***

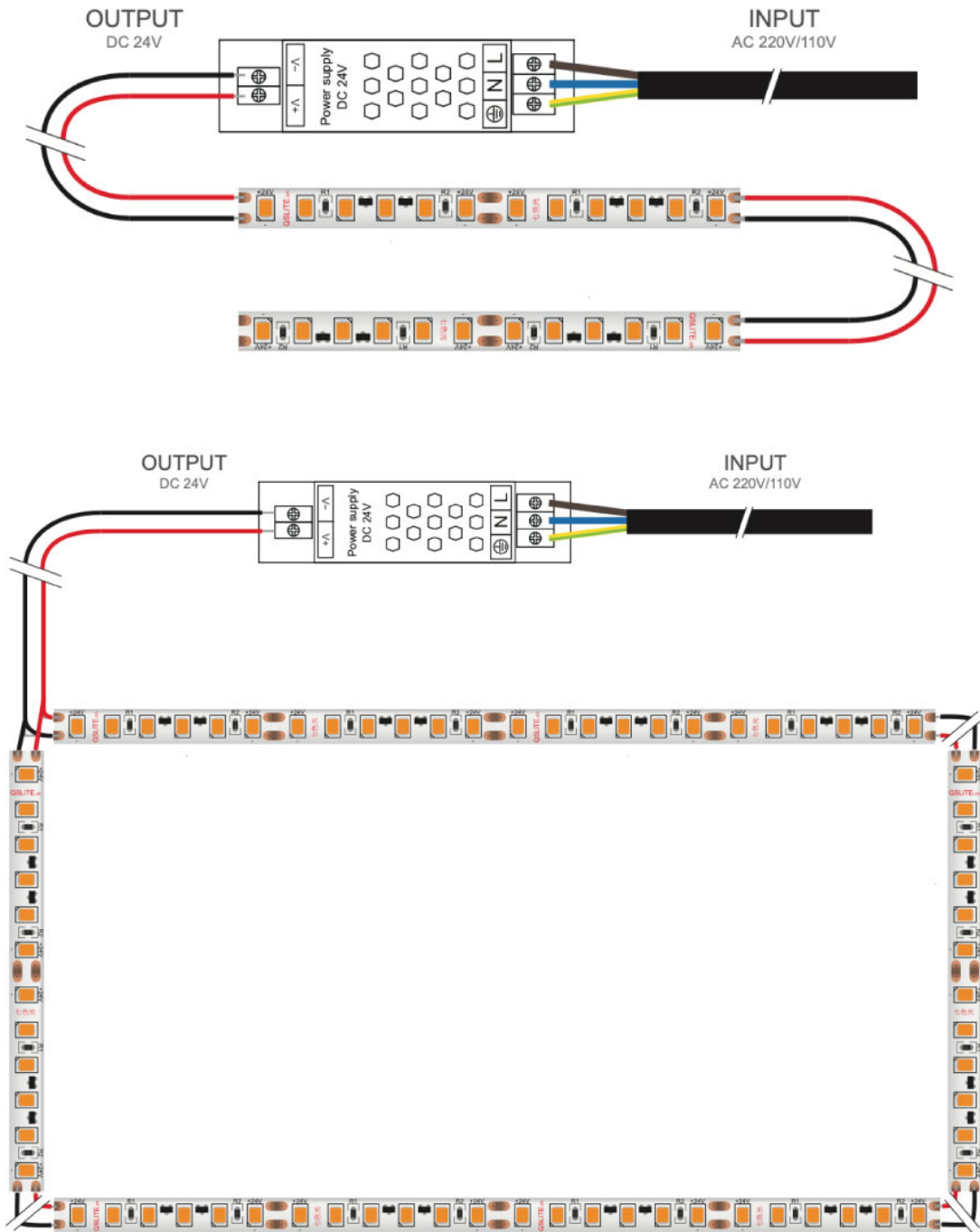
Our flexible strip LED lighting uses long life super bright LEDs, for intense single colour luminosity with extremely low power consumption of just 8 watts per metre. 320 LEDs per metre on a flexible PCB (printed circuit board), with 3M™ adhesive backing making installation of accent lighting in a variety of complex environments simple. Supplied in 5 metre rolls, strips can be cut at every 100mm, tailoring the length to suit your application. Suitable for indoor use; IP21 strips, or IP65 silicone cover for outdoor/waterproof requirements. We also stock a range of power supplies (waterproof and non-waterproof) of varying outputs according to your requirements.

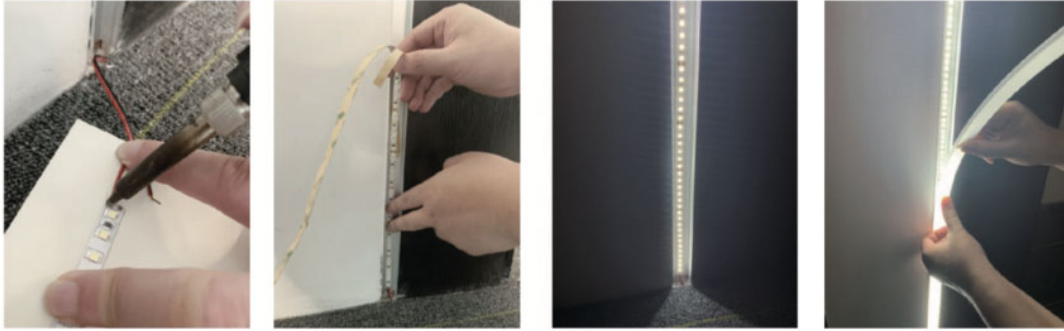
[DOWNLOAD LED STRIP LIGHT LED TAPE LIGHT INSTRUCTIONS - HOW TO INSTALL LED STRIP GUIDE / MANUAL](#)

### DRIVER SELECTION GUIDE

Total Length of Strip (m)	Total Load (Watts)	Driver Size (Watts)*
1m	8W	20W
2m	16W	20W
3m	24W	30W
4m	32W	60W
5m	40W	60W
8m	64W	100W
10m	80W	100W
12m	96W	100W
15m	120W	150W

Power Strip from Single end - MAX 5M Sections of LED to avoid Voltage Drop





On some models, clip on connectors are available\*

**Do you offer a 'cut-to-size' service?**

Yes, please follow this link to our ['cut-to-size' COB strip](#).

**Does the LED Tape come with Aluminium Profile?**

We sell each item individually, so this product page is for the led tape/led strip only. Check out relate products below for our range of [aluminium led profile](#) here.

**Can I cut the aluminium LED tape?**

Yes, it can be cut with a pair of scissors or electrical cutters at specified points.

**Do you have corner pieces/how do I go around corners?**

We don't do corner pieces for our LED Strip. For going around 90° corners, you would need to cut and solder a cable connection join.

**Do you have joining pieces/ how do I join LED aluminium profile?**

We don't do joining pieces for any of our led strip as generally it shouldn't be installed in single runs longer than 10m due to voltage drop to obtain a continuous appearance. If you do have to join a section or 2 off-cuts, you would need to cut and solder a cable connection join or use a [led strip connector](#). NOTE - LED strip connectors may not fit in all LED profiles please check prior to ordering.

**What colours is the LED strip available in?**

As standard, we stock 3 whites:

- Warm White 2700-3000K
- Natural White - 4000K
- Cool white - 6500-7000K

**What lengths does LED strip come in?**

We typically stock all of our LED Strip in 5m rolls and by the m/cut to size.

**Is this waterproof? Can it be used outdoors or in bathrooms?**

The LED strip itself is available in IP21 non-waterproof & IP65, waterproof / outdoor use. If outdoor or in wet locations, you would need to use suitable waterproof IP rated LED tape with your installation denoted IP65/waterproof. Note IP65 is splash-proof and not submergible.

**How do I stop the LEDS spotting/dot effect?**

Using a continuous spotless / non spotting LED Strip such as this one [no spotting / no dotting spotless LED strip / LED tape light](#)

**What size LED tape / LED strip fits in our LED aluminium profiles?**

All of our range of LED strip/led tape fits in any of our profile, so rest assured when buying both LED tape and LED profile from us, your products are compatible.