

## LED Strip / Cut & solder charge

**£6.66**



This is for cut & solder of 1 no LED Strip complete with heat shrink wrap. The number of metres of cable per solder joint needs to be selected in the dropdown menu.

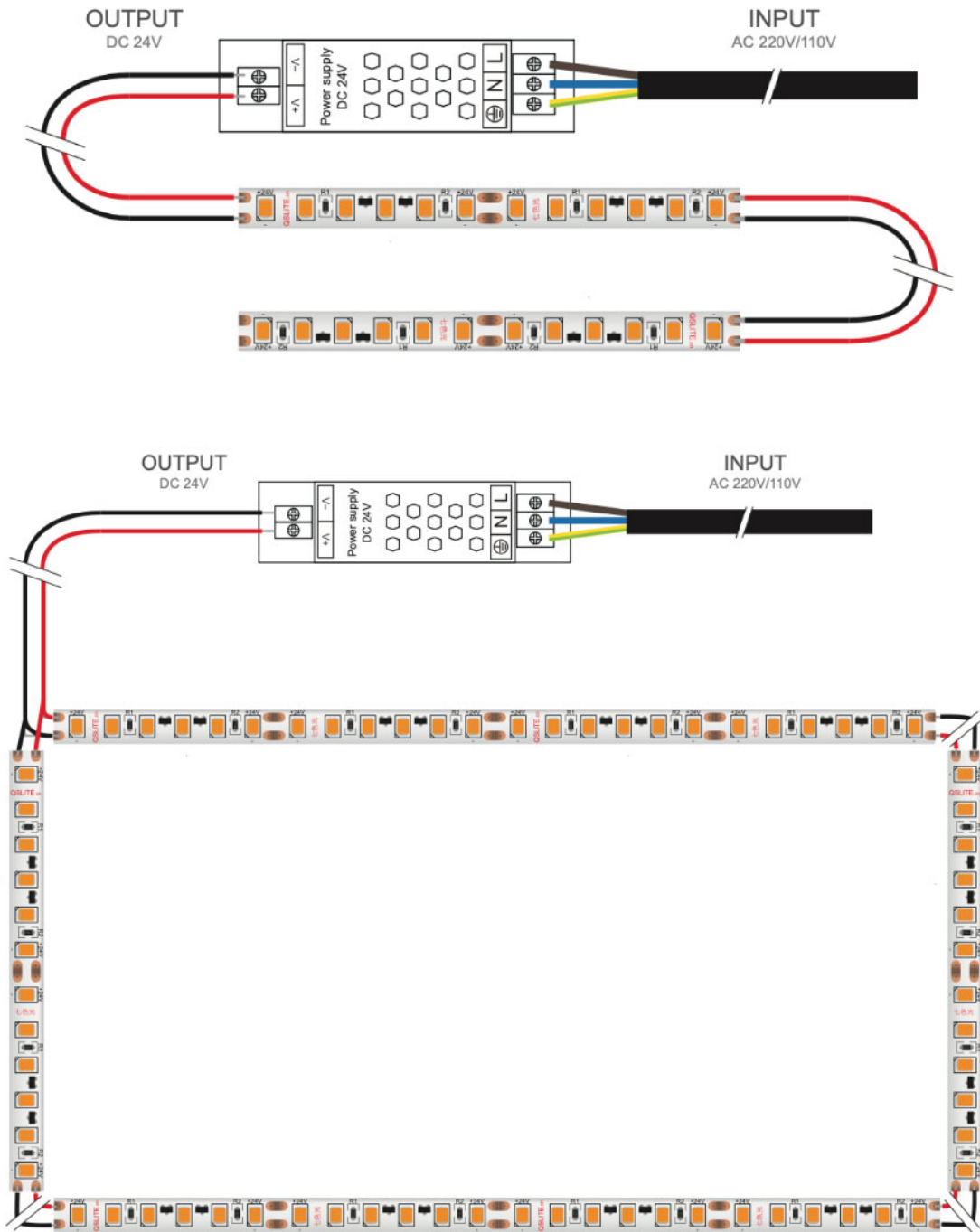
This is a product customisation and as such as non returnable / non refundable and non cancellable once started.

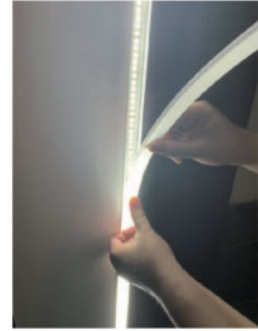
We only cut to the nearest 100mm due to the cut points on the strip so please be sure to enter the size of the length required in the box below (to the nearest 100mm).

Please add the total number of cuts required in the quantity box (next to the add to cart button).

PLEASE NOTE - There is a 4-5 working day turn around for this service. This is the cut/solder charge only, the LED strip must be purchased separately and be enough to cover the length of cuts required.

Power Strip from Single end - MAX 5M Sections of LED to avoid Voltage Drop





On some models, clip on connectors are available\*