

LED SHELF KIT - Complete Kit Includes LED Strip/LED Tape, LED aluminium profile bracket, LED Driver + Acrylic Shelf & 5m Cable 24V - Single Colour IP65

£76.86



Save time and order our complete LED shelf kit kit, includes the relevant components you need to make an illuminated LED shelf/shelving unit. complete with 1000mm w x 150mm deep shelf. Max weight its 10kg per 1m shelf.

Kit includes

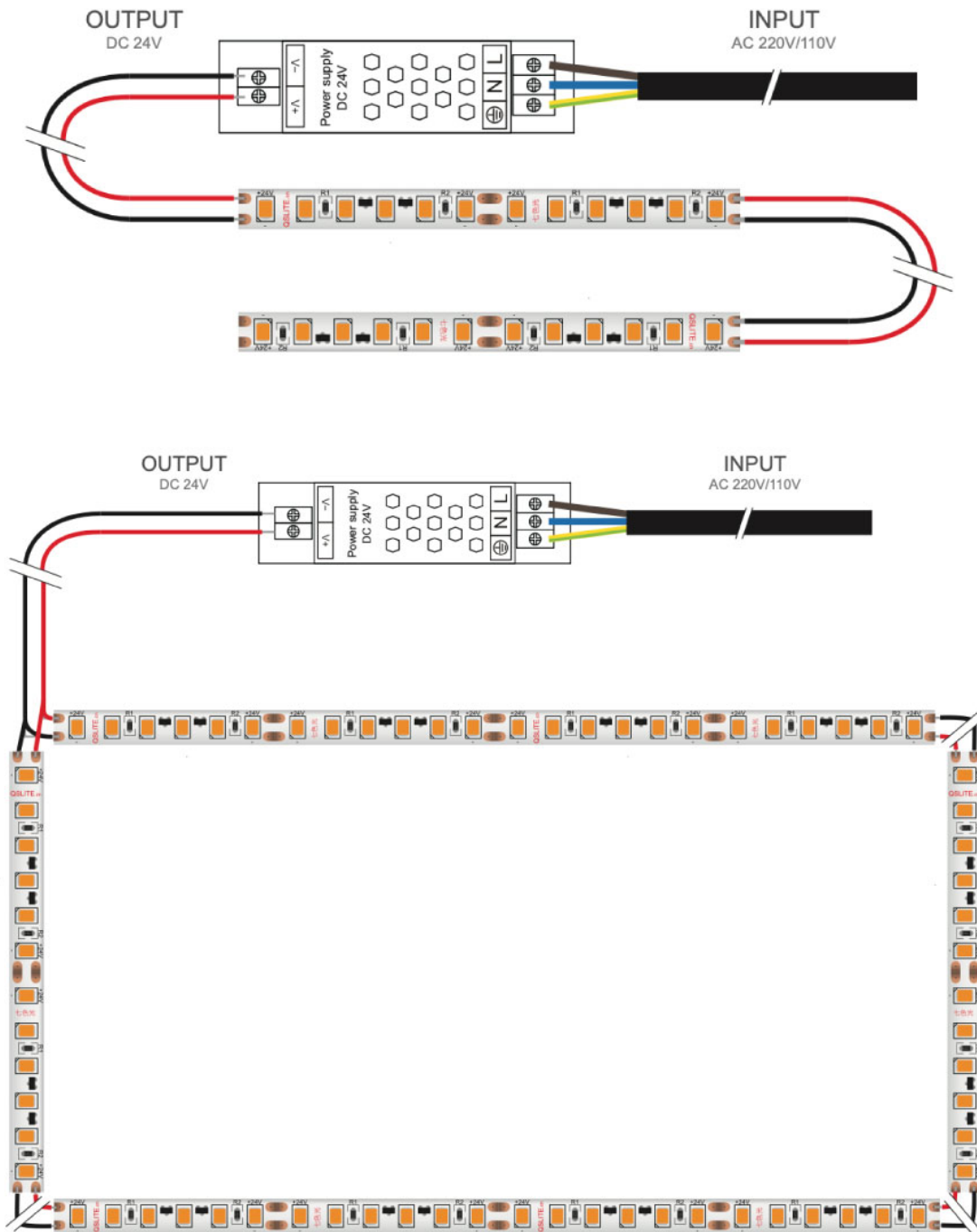
- 1m of [LED strip](#)
- 1m of [LED shelf aluminium track](#),
- 1 x [LED Driver to suit](#)
- [5m 24V DC Cable](#) - pre-soldered to the LED tape
- [1m x 150mm deep polished edge acrylic](#)
- Complete with 1 pair of end caps and 1 pair of mounting clips per length
- Optional add on of [LED handheld RF remote control dimmer switch c/w battery](#) or [Wall Plate RF dimming switch](#).

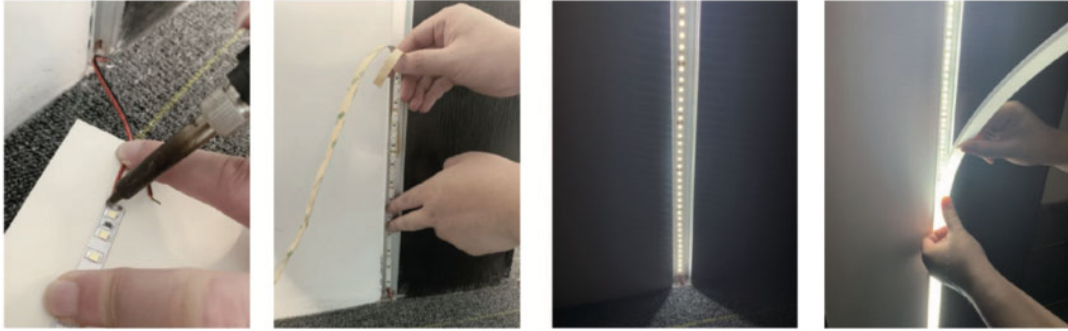
Note we are unable to modify these kits in any way, they are heavily discounted as a complete kit

[DOWNLOAD LED STRIP LIGHT LED TAPE LIGHT INSTRUCTIONS - HOW TO INSTALL LED STRIP GUIDE / MANUAL](#)

[DOWNLOAD TYPICAL INSTALLATION DETAIL / MANUAL - HOW TO INSTALL LED STRIP / TAPE PROFILE](#)

Power Strip from Single end - MAX 5M Sections of LED to avoid Voltage Drop





On some models, clip on connectors are available*

****PLEASE NOTE THIS KIT CONTAINS LED STRIP WHICH IS EXTREMELY FRAGILE AND REQUIRES PROFESSIONAL INSTALLATION. PRODUCT SHOULD BE ORDERED/INSTALLED BY A QUALIFIED ELECTRICIAN EXPERIENCED WITH LED STRIP/LOW VOLTAGE SYSTEMS.****

****1M, 2M, 3M AND 4M ARE CUT TO SIZE AND SUPPLIED WITH 1 x NUMBER WIRED END CONNECTOR FOR THE CUSTOMER TO INSTALL/CONNECT****