

Outdoor Recessed Patio Drive Driveway Garden LED Strip Tape Profile Complete Kit - Includes LED Strip Tape, LED Profile, Driver + Optional Remote Dimmer and Wall Plate Dimming Switch, 5m Cable 24V - Single Colour IP65

£49.01



****PLEASE NOTE - THE DIFFUSER, END CAPS AND ANY GAPS IN THE PROFILE NEED TO BE SEALED IN WITH CLEAR SILICONE/EPOXY RESIN IN ORDER TO ACHIEVE THE IP67 RATING REQUIRED IF LIKELY TO BE SUBMERGED IN WATER (ie. IN GROUND OF A GARDEN) - CLEAR 2-PART EPOXY RESIN KIT FOR SEALING / ENCAPSULATION SOLD SEPARATELY - SIMPLY MIX PARTS A&B AND POUR OVER THE LED TAPE AND THEN IMMEDIATELY FIT THE DIFFUSER TO SEAL/ENCAPSULATE AGAINST WATER - NOTE YOU ARE ADVISED TO TEST FULL INSTALLATION PRIOR TO THIS AS ONCE POURED YOU WILL BE UNABLE TO REMOVE / RECONNECT LEDS ****

Save time and order our complete LED tile in kit in a variety of sizes, simply select the size you require from the list (5-30m) includes the relevant components including:

- Specified QTY of [LED strip](#),
- [LED tile in aluminium profile](#)
- Optional [LED remote dimmer](#) or [Wall Plate RF dimming switch](#)
- [LED Driver to suit](#)

- [5m 24V DC Cable](#)
- [1 x Wired End Cable Connector](#)
- Supplied in complete kit format. Profile in 1m lengths comes with 1 pair of end caps and 1 pair of mounting clips per length. LED Tape supplied. in 5m rolls. If unsure please see individual links to each item clicking the links above.

Note we are unable to modify these kits in any way, they are heavily discounted as a complete kit.

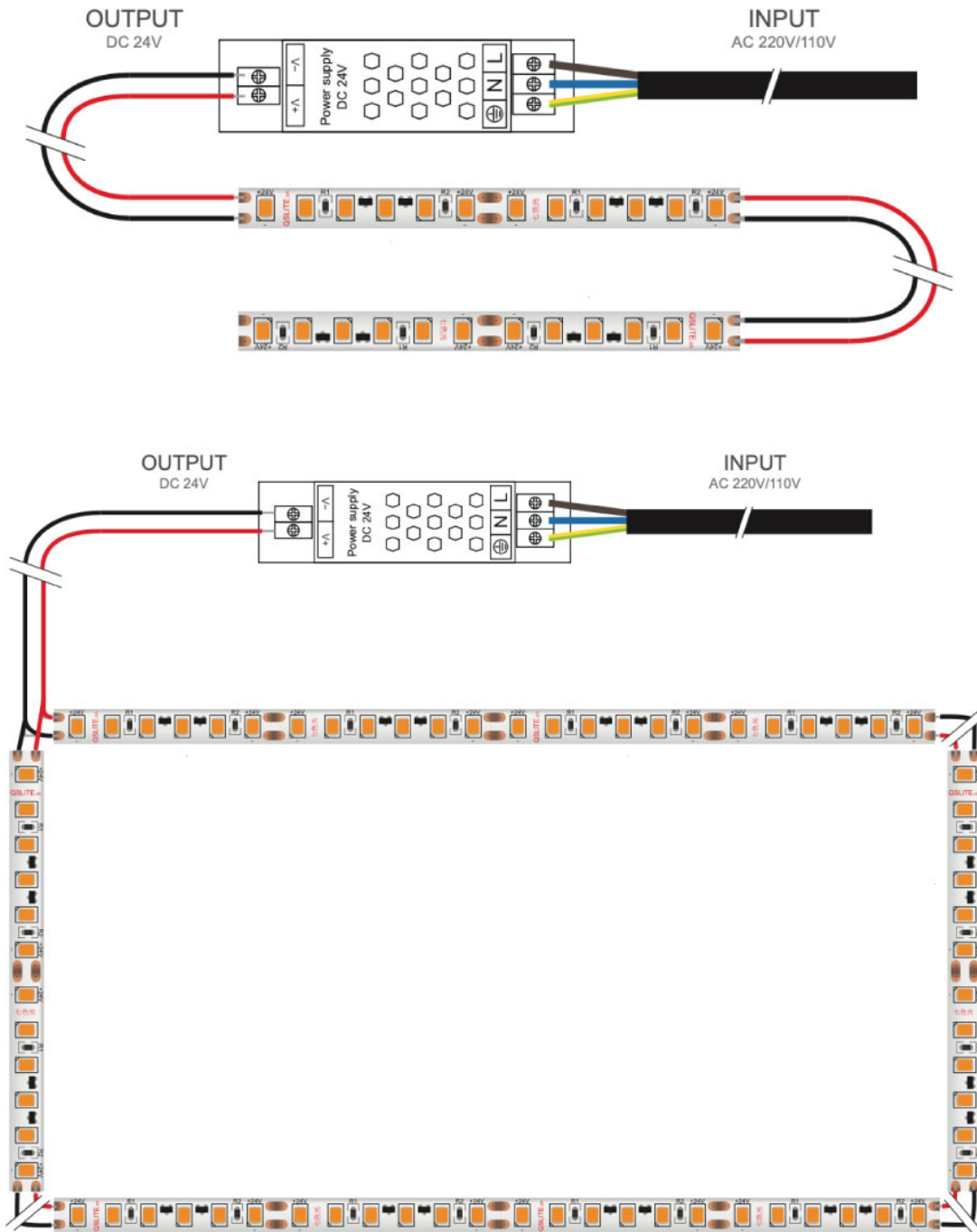
[DOWNLOAD LED STRIP LIGHT LED TAPE LIGHT INSTRUCTIONS - HOW TO INSTALL LED STRIP GUIDE / MANUAL](#)

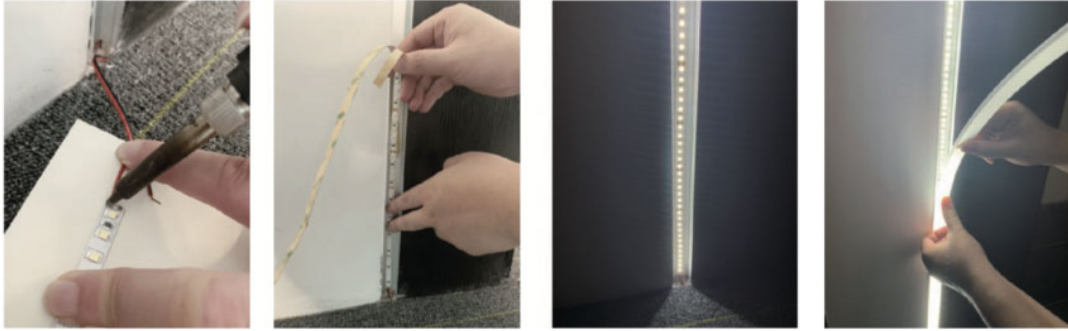
[DOWNLOAD TYPICAL INSTALLATION DETAIL / MANUAL - HOW TO INSTALL LED STRIP / TAPE PROFILE](#)

[DOWNLOAD LED DIMMER RF REMOTE PRODUCT INSTALLATION MANUAL / GUIDE](#)

[DOWNLOAD LED RF RECEIVER PRODUCT INSTALLATION MANUAL / GUIDE](#)

Power Strip from Single end - MAX 5M Sections of LED to avoid Voltage Drop





On some models, clip on connectors are available*

****PLEASE NOTE THIS KIT CONTAINS LED STRIP WHICH IS EXTREMELY FRAGILE AND REQUIRES PROFESSIONAL INSTALLATION. PRODUCT SHOULD BE ORDERED/INSTALLED BY A QUALIFIED ELECTRICIAN EXPERIENCED WITH LED STRIP/LOW VOLTAGE SYSTEMS.****

****1M, 2M, 3M AND 4M ARE CUT TO SIZE AND SUPPLIED WITH 1 x NUMBER [WIRED END CONNECTOR](#) FOR THE CUSTOMER TO INSTALL/CONNECT****