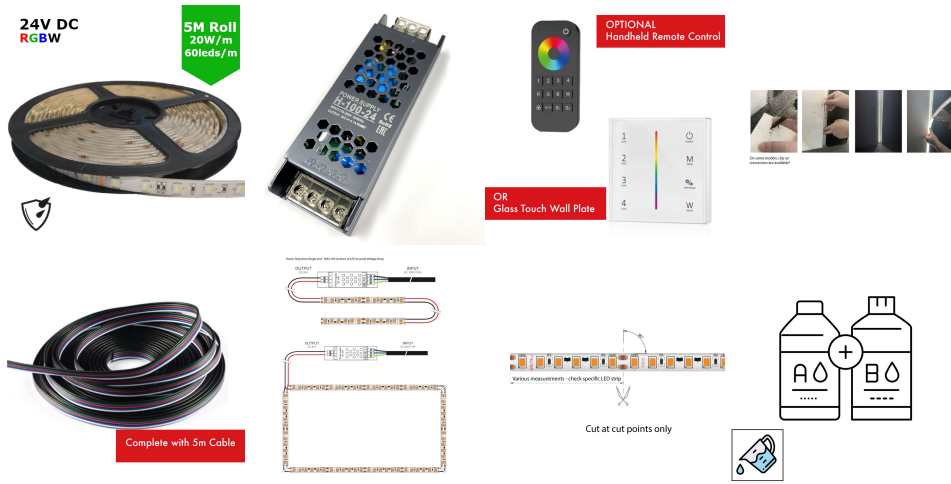
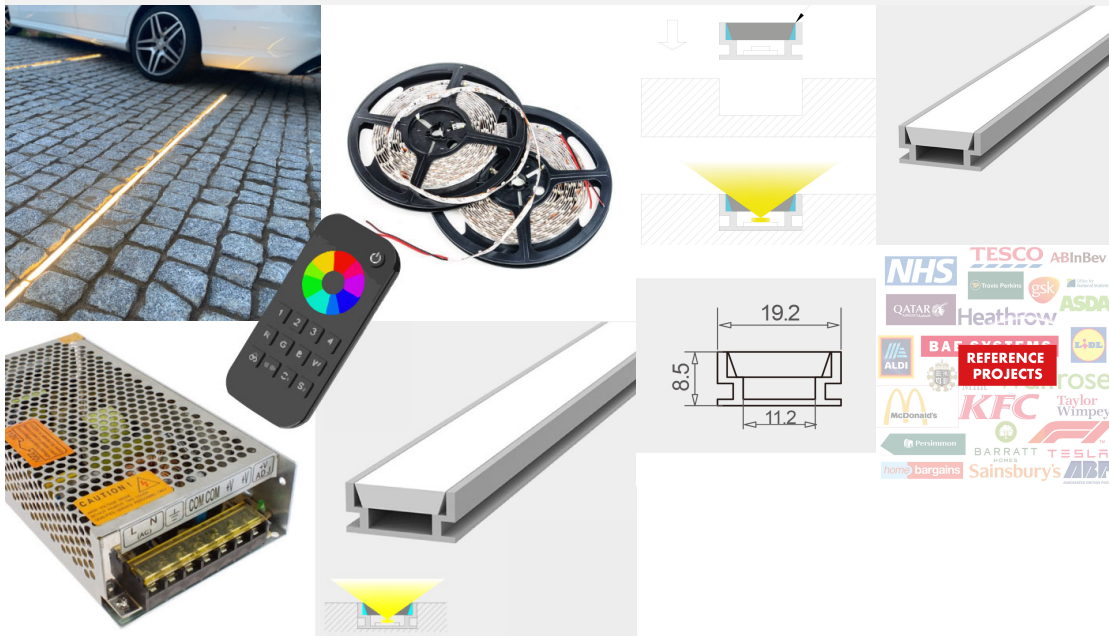


Recessed Drive Driveway Garden LED Strip RGBW Colour Changing - Outdoor Garden LED Kit - Includes LED Strip Tape, LED Profile, Driver + Optional RF Remote or Wall Plate Controller, 5m Cable 24V - IP65

£49.10



****PLEASE NOTE - THE DIFFUSER, END CAPS AND ANY GAPS IN THE PROFILE NEED TO BE SEALED IN WITH CLEAR SILICONE/EPOXY RESIN IN ORDER TO ACHIEVE THE IP67 RATING REQUIRED IF LIKELY TO BE SUBMERGED IN WATER (ie. IN GROUND OF A GARDEN) - CLEAR 2-PART EPOXY RESIN KIT FOR SEALING / ENCAPSULATION SOLD SEPARATELY - SIMPLY MIX PARTS A&B AND POUR OVER THE LED TAPE AND THEN IMMEDIATELY FIT THE DIFFUSER TO SEAL/ENCAPSULATE AGAINST WATER - NOTE YOU ARE ADVISED TO TEST FULL INSTALLATION PRIOR TO THIS AS ONCE POURED YOU WILL BE UNABLE TO REMOVE / RECONNECT LEDS ****

Save time and order our complete LED Recessed Drive Driveway Garden LED kit in a variety of sizes, simply select the size you require from the list (5-25m) includes the relevant components including:

- Specified QTY of [LED RGBW Colour changing strip](#),
- [Recessed Patio Aluminium LED Profile](#)

- Optional [LED RF Colour Changing Remote](#) or [LED RF Wall Plate Controller](#)
- [LED Driver to suit](#)
- [5m RGBW Cable](#).

Please note a 24V RGBW controller will be required to change the colour / control the strip if you don't have one of these already. This can be selected in the 'Add on controller' dropdown menu. Supplied in complete kit format. Profile in 1m lengths comes with 1 pair of end caps and 1 pair of mounting clips per length. LED Tape supplied. in max length of 5m rolls hence if you order a 25m kit, you will receive 5 x 5m rolls. If unsure please see individual links to each item clicking the links above.

Note we are unable to modify these kits in any way, they are heavily discounted as a complete kit.

[DOWNLOAD LED STRIP LIGHT LED TAPE LIGHT INSTRUCTIONS - HOW TO INSTALL LED STRIP GUIDE / MANUAL](#)

[DOWNLOAD TYPICAL LED STRIP / LED TAPE WIRING DIAGRAM](#)

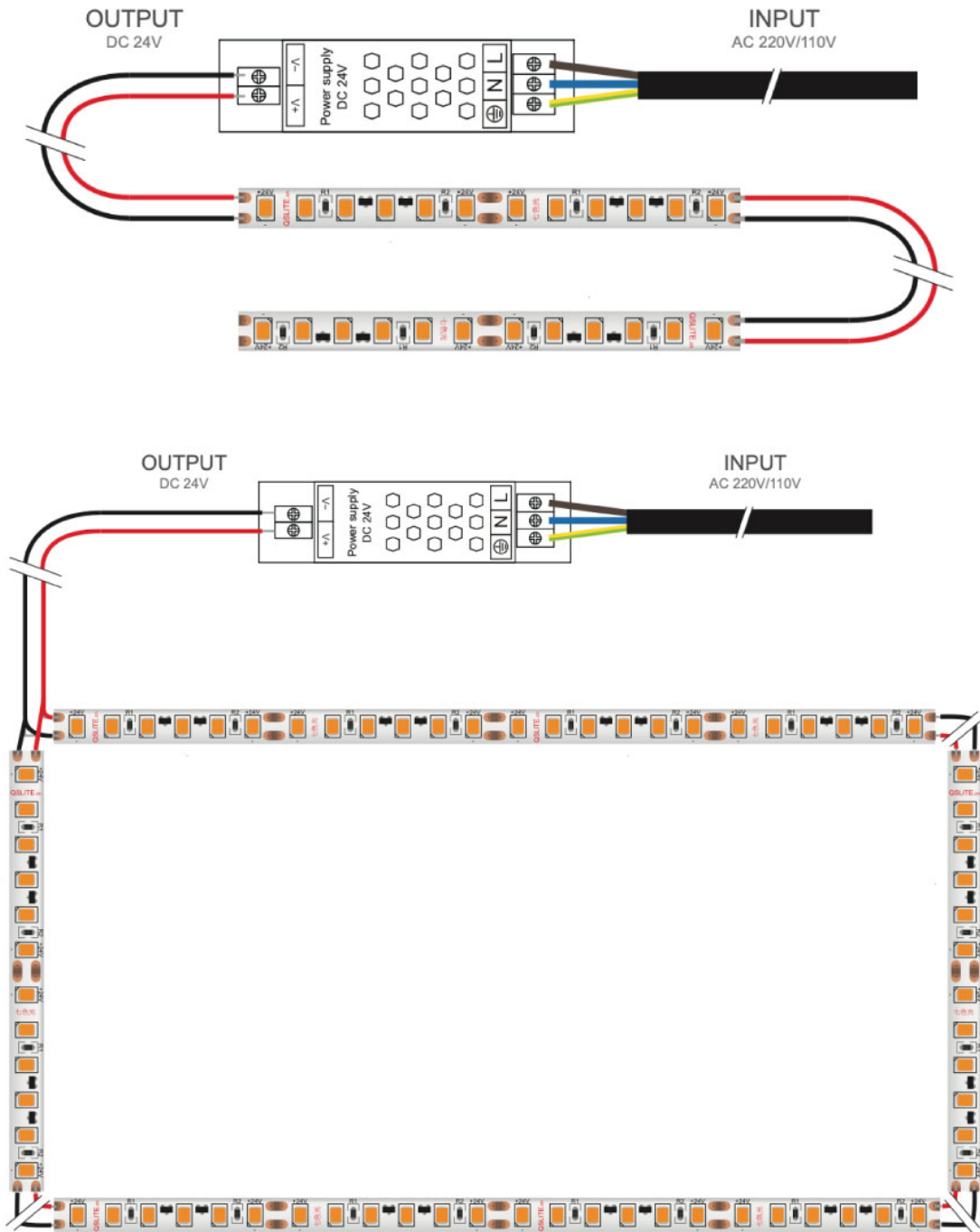
[DOWNLOAD TYPICAL INSTALLATION DETAIL / MANUAL - HOW TO INSTALL LED STRIP / TAPE PROFILE](#)

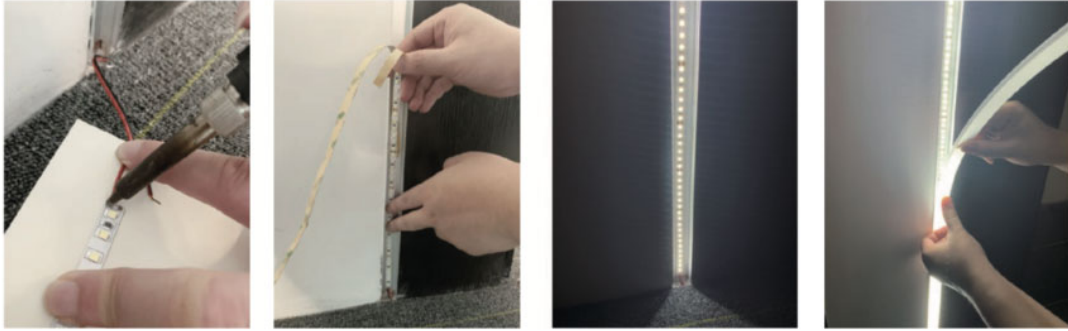
[DOWNLOAD RF REMOTE CONTROL PRODUCT INSTALLATION MANUAL / GUIDE](#)

[DOWNLOAD LED RF RECEIVER PRODUCT INSTALLATION MANUAL / GUIDE](#)

[DOWNLOAD DATA REPEATER / POWER AMPLIFIER PRODUCT INSTALLATION MANUAL / GUIDE](#)

Power Strip from Single end - MAX 5M Sections of LED to avoid Voltage Drop





On some models, clip on connectors are available*

****PLEASE NOTE THIS KIT CONTAINS LED STRIP WHICH IS EXTREMELY FRAGILE AND REQUIRES PROFESSIONAL INSTALLATION. PRODUCT SHOULD BE ORDERED/INSTALLED BY A QUALIFIED ELECTRICIAN EXPERIENCED WITH LED STRIP/LOW VOLTAGE SYSTEMS.****