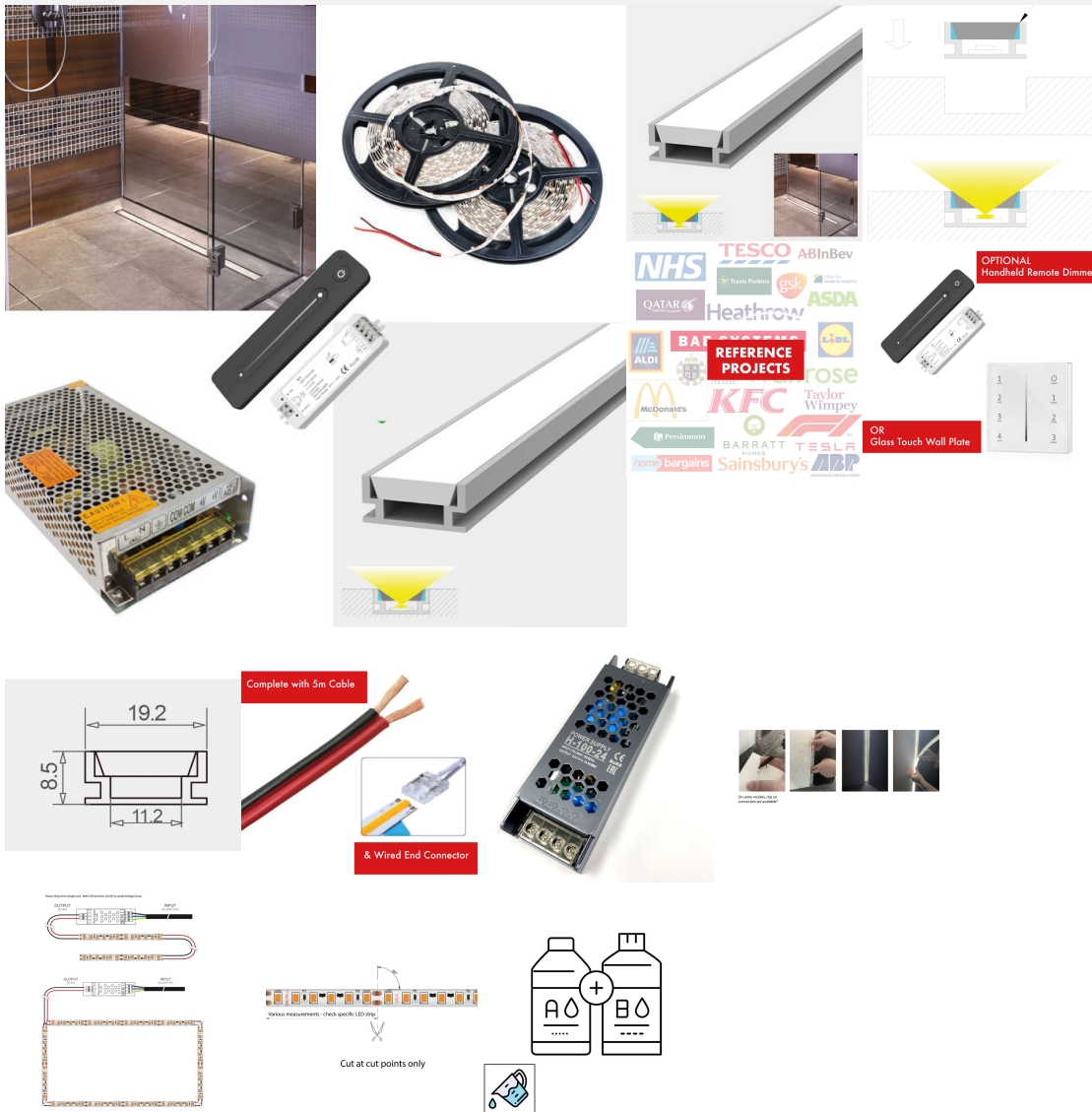


**LED Strip Tile in LED Profile Floor / Wall Recessed Shower Niche Complete Kit - Includes LED Strip Tape, LED Profile, Driver + Optional Remote Dimmer or Wall Plate Dimming Switch, 5m Cable 24V - Single Colour IP65**

**£49.01**



**\*\*PLEASE NOTE - THE DIFFUSER, END CAPS AND ANY GAPS IN THE PROFILE NEED TO BE SEALED IN WITH CLEAR SILICONE/EPOXY RESIN IN ORDER TO ACHIEVE THE IP67 RATING REQUIRED IF LIKELY TO BE SUBMERGED IN WATER (ie. IN GROUND OF A GARDEN) - CLEAR 2-PART EPOXY RESIN KIT FOR SEALING / ENCAPSULATION SOLD SEPARATELY - SIMPLY MIX PARTS A&B AND POUR OVER THE LED TAPE AND THEN IMMEDIATELY FIT THE DIFFUSER TO SEAL/ENCAPSULATE AGAINST WATER - NOTE YOU ARE ADVISED TO TEST FULL INSTALLATION PRIOR TO THIS AS ONCE POURED YOU WILL BE UNABLE TO REMOVE / RECONNECT LEDS \*\***

Save time and order our complete LED tile in kit in a variety of sizes, simply select the size you require from the list (5-30m) includes the relevant components including:

- Specified QTY of [LED strip](#),
- [LED tile in aluminium profile](#)

- Optional [LED remote dimmer](#) or [Wall Plate RF dimming switch](#)
- [LED Driver to suit](#)
- [5m 24V DC Cable](#)
- [1 x Wired End Cable Connector](#)
- Supplied in complete kit format. Profile in 1m lengths comes with 1 pair of end caps and 1 pair of mounting clips per length. LED Tape supplied. in 5m rolls. If unsure please see individual links to each item clicking the links above.

*Note we are unable to modify these kits in any way, they are heavily discounted as a complete kit.*

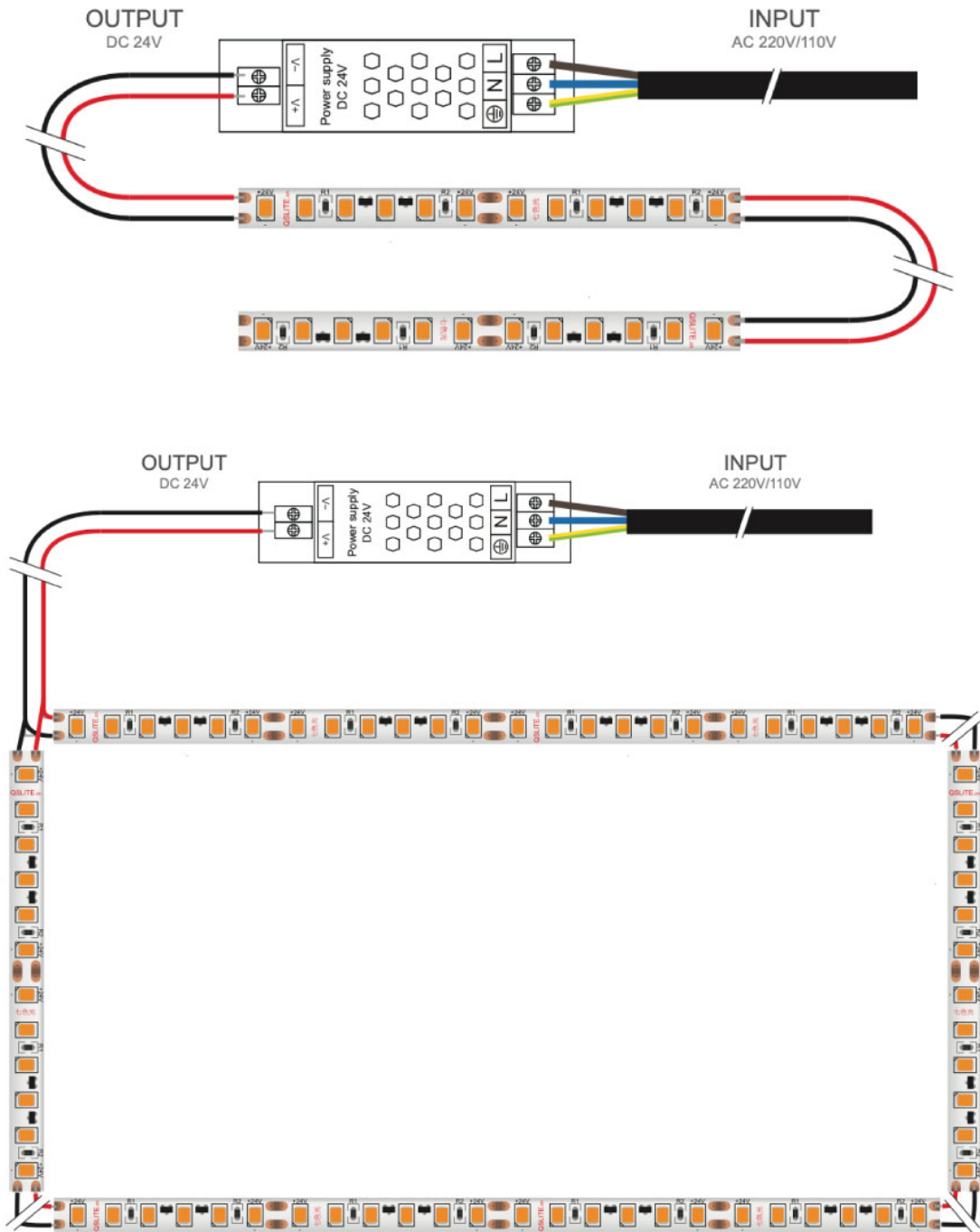
[DOWNLOAD LED STRIP LIGHT LED TAPE LIGHT INSTRUCTIONS - HOW TO INSTALL LED STRIP GUIDE / MANUAL](#)

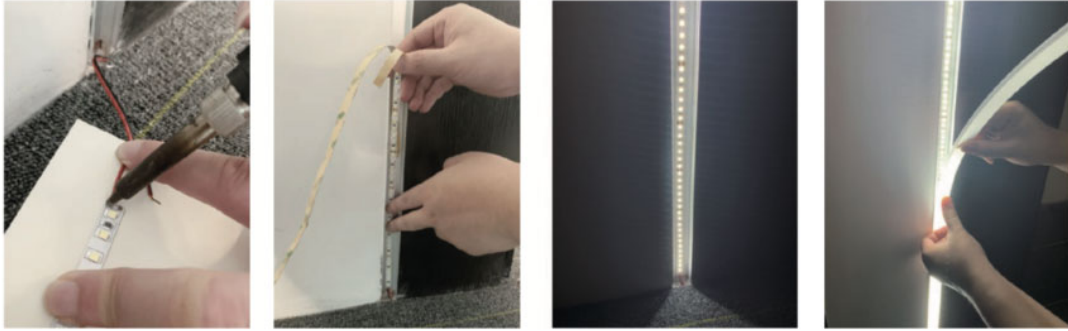
[DOWNLOAD TYPICAL INSTALLATION DETAIL / MANUAL - HOW TO INSTALL LED STRIP / TAPE PROFILE](#)

[DOWNLOAD LED DIMMER RF REMOTE PRODUCT INSTALLATION MANUAL / GUIDE](#)

[DOWNLOAD LED RF RECEIVER PRODUCT INSTALLATION MANUAL / GUIDE](#)

Power Strip from Single end - MAX 5M Sections of LED to avoid Voltage Drop





On some models, clip on connectors are available\*

**\*\*PLEASE NOTE THIS KIT CONTAINS LED STRIP WHICH IS EXTREMELY FRAGILE AND REQUIRES PROFESSIONAL INSTALLATION. PRODUCT SHOULD BE ORDERED/INSTALLED BY A QUALIFIED ELECTRICIAN EXPERIENCED WITH LED STRIP/LOW VOLTAGE SYSTEMS.\*\***

**\*\*1M, 2M, 3M AND 4M ARE CUT TO SIZE AND SUPPLIED WITH 1 x NUMBER [WIRED END CONNECTOR](#) FOR THE CUSTOMER TO INSTALL/CONNECT\*\***