

LED Strip Plaster in plasterboard Skim LED Profile Ceiling Complete Kit - Includes LED Strip Tape, LED Profile, Driver + Optional Remote Dimmer or Wall Plate Dimming Switch, 5m Cable 24V - Single Colour IP21

£55.85



Save time and order our complete LED kit in a variety of sizes, simply select the size you require from the list (5-30m). The kit comes complete and includes the relevant components including:

- Specified QTY of [LED strip](#)
- [LED plaster in aluminium profile](#)
- Optional [LED remote dimmer](#) or [Wall Plate RF dimming switch](#),
- [LED Driver to suit](#)
- [5m 24V DC Cable](#)
- [1 x Wired End Connector](#)
- Supplied in complete kit format. Profile in 1m lengths comes with 1 pair of end caps and 1 pair of mounting clips per length. LED Tape supplied. in 5m rolls. If unsure please see individual links to each item clicking the links above.

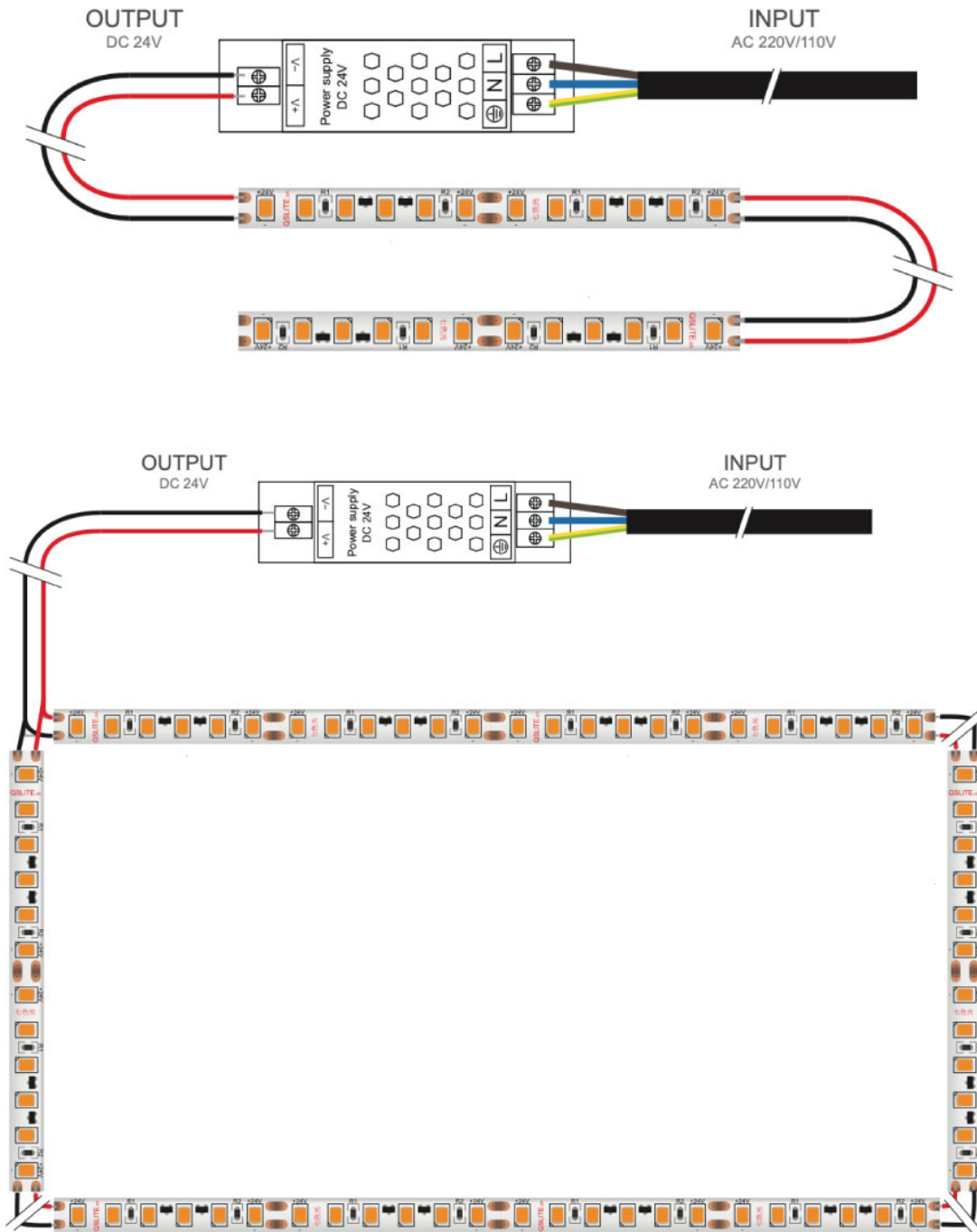
Note we are unable to modify these kits in any way, they are heavily discounted as a complete kit. theledstore.co | <https://theledstore.co/>

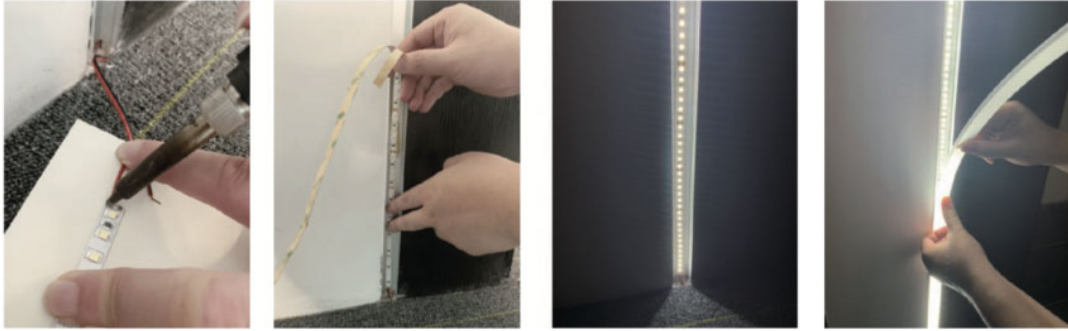
[DOWNLOAD LED STRIP LIGHT LED TAPE LIGHT INSTRUCTIONS - HOW TO INSTALL LED STRIP GUIDE / MANUAL](#)

[DOWNLOAD LED DIMMER RF REMOTE PRODUCT INSTALLATION MANUAL / GUIDE](#)

[DOWNLOAD LED RF RECEIVER PRODUCT INSTALLATION MANUAL / GUIDE](#)

Power Strip from Single end - MAX 5M Sections of LED to avoid Voltage Drop





On some models, clip on connectors are available*

****PLEASE NOTE THIS KIT CONTAINS LED STRIP WHICH IS EXTREMELY FRAGILE AND REQUIRES PROFESSIONAL INSTALLATION. PRODUCT SHOULD BE ORDERED/INSTALLED BY A QUALIFIED ELECTRICIAN EXPERIENCED WITH LED STRIP/LOW VOLTAGE SYSTEMS.**

****1M, 2M, 3M AND 4M ARE CUT TO SIZE AND SUPPLIED WITH 1 x NUMBER WIRED END CONNECTOR FOR THE CUSTOMER TO INSTALL/CONNECT****