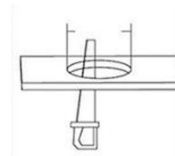
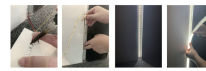
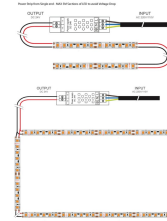


**400W 24V DC LED Driver / LED Power Supply / LED Transformer - 16.6A
16.6Amp Constant Voltage LED Power Supply - IP21 Indoor**

£49.20



Fits through most recessed downlight cut outs
Check before ordering*



PRODUCT INFORMATION

Warranty	1 Year Warranty
Part L Compliant	No
Dimensions	227mm x 63mm x 30mm
Weight	0.85kg

TECHNICAL SPECIFICATIONS

Power Consumption	400W Max
Input Voltage	175 - 250V AC
Power Factor	>0.95
Operating Temperature	-20°C to 50°C
Ingress Protection	IP21
Output Voltage	24V DC Constant Voltage

AVAILABLE OPTIONS

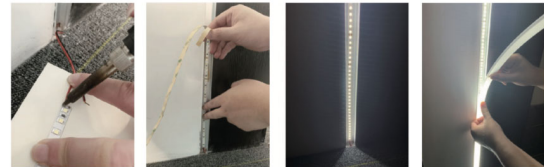
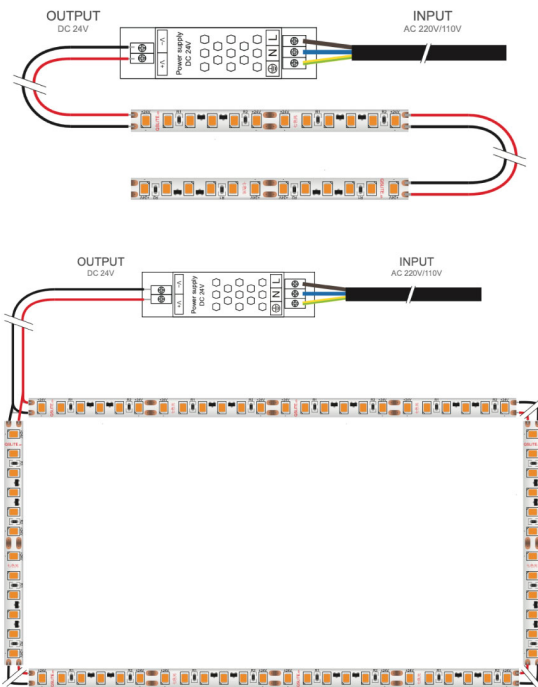
3-Hour Emergency Version	No
1-10V Dimmable	No
DALI Dimmable	No

NEW SLIM DESIGN! FITS THROUGH MOST DOWNLIGHT HOLES.
DIMENSIONS: 227mm x 63mm x 30mm (L x W x H)

400W 24V Constant Voltage Non-water proof LED Driver for LED Strip lighting. IP21 hence non-waterproof so suitable for indoor use only. Range of sizes from 60W / 100W / 150W / 400W

400W 24V DC LED Driver / LED Power Supply / LED Transformer - 16.6A 16.6Amp Constant Voltage LED Power Supply - IP21 Indoor

Power Strip from Single end - MAX 5M Sections of LED to avoid Voltage Drop



On some models, clip on connectors are available*

- DC Voltage: 24V
- Power : 400W
- Ripple & Noise: 80MV
- DC Adjustable Range: $\pm 10\%$
- Rated Voltage Voltage Tolerance: $\pm 2.0\%$
- Line Regulation: $\pm 0.5\%$
- Load Regulation: $\pm 1\%$ Setup,Rise Time,Hold Up Time:200ms,50ms, 20ms/230VAC AC
- Voltage Range: 187-264VAC
- Frequency Range: 47-63Hz
- Efficiency:85%
- AC Current: 0.4A/230V
- AC Inrush Current: 40A/230V
- Leakage Current< 0.5mA /240VAC
- Over-load: 105%-150% hiccup mode,Auto-recovery
- Over-voltage: 115%-135% Cut Off the Output,Auto-recovery
- Over-temp. : Shut down O/P voltage, Auto-recovery
- Working temp.: -10~ +60C° (Refer to output load derating curve)
- Working Humidity:20 ~ 90% RH, non-condensing
- Storage Temp.: -10~ +60C°
- Storage Humidity: 10 ~ 95% RH
- Isolation Resistance:I/P-O/P,I/P-FG,O/P-FG:100M Ohms/500VDC / 25C°/ 70% RH

- Withstand Voltage: I/P-O/P:3KVAC I/P-FG:1.5KVAC O/P-FG:0.5KVAC
-