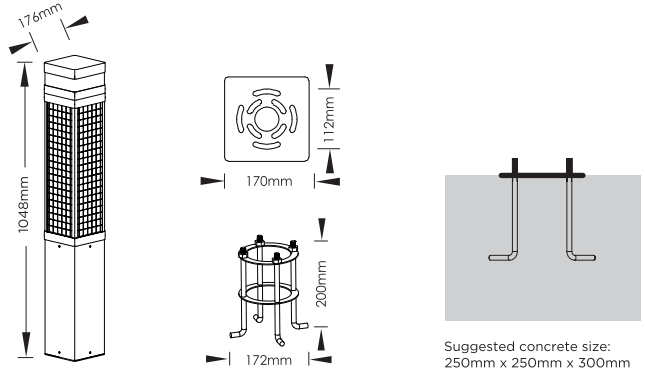


! WARNING

1. If a fitting is found to be damaged, cease use immediately.
2. The installation should be performed by qualified electricians or lighting technicians.
3. Fitting must be mounted to a solid surface.
4. This Solar light will not charge correctly if the panel is behind glass or artificial light is used.
5. If there is any problem with the fixture, DO turn off power and DO NOT attempt repair unless you are a qualified technician or the customer service member.

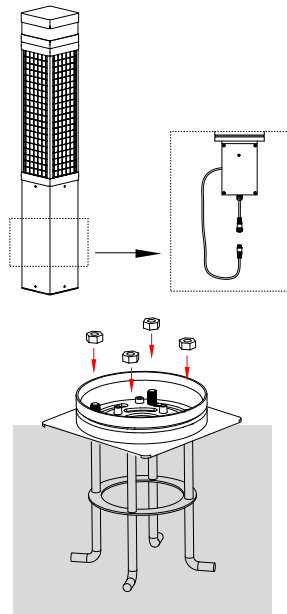
TECHNICAL SPECIFICATION:

- ★ Beam Angle: 360°Symmetric (all round)
- ★ Luminous Efficacy: 180lm/W
- ★ Lumen Output: 1080lm (100% brightness)
- ★ Color Rendering Index: ≥80Ra
- ★ LED Type: LM80 3030LEDs
- ★ Solar Panel: Mono-si
- ★ Battery: LiFePO4 12.8V/8AH
- ★ Solar Charge Controller: MPPT
- ★ System Design: 12.8V
- ★ Sensor Type: Infrared Induction
- ★ Sensing Delay: 20s
- ★ Charging Time: 5-6Hours (Peak Sun Hour)
- ★ Control Mode: D2D (Dusk to Dawn) / STD (Step Dimming with Motion Sensor Override) / TC (Time Control)
- ★ Operating Hours: >3 days



Suggested concrete size:
250mm x 250mm x 300mm

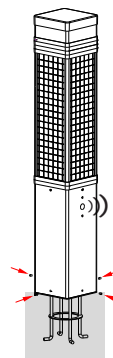
INSTALLATION:



Before installing, need to plug in battery connector.

NOTE:
Battery has been disconnected due to transportation and storage reasons. Make sure twist lock after plugging in for secure and waterproof connection.

Concrete anchor bolts into ground after confirming light is in correct direction. Secure the base plate using M10 nuts provided.



NOTE:
Make sure motion sensor is positioned to suitable direction.

Secure the post to base plate using the grub screws provided.

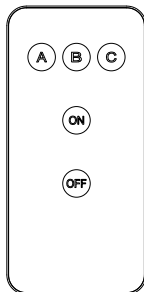
Please read these instructions carefully before installing your light

Before installing your solar street light please consider the location and shadows created throughout the day that fall upon the solar panel. Any shade may impact upon performance of the lamp at night.

OPERATION MODE AND LIGHTING SCHEDULE:

In addition to automated dusk-to-dawn, you have the possibility of choosing among different modular operating modes according to the needs of the project. The all-in-one solar street light has 3 of the most popular program pre-set. You can select them by using the mini remote controller provided in the package.

Control Mode Program:



**PROGRAM A(DEFAULT):
ECO MODE(Maximum Operating Hours)**
Off until PIR sensor activated by movement, on 10 seconds

PROGRAM B: STANDARD MODE
30% Brightness, Full Brightness when PIR sensor activated by movement for 10 seconds

PROGRAM C: HIGH POWER MODE UNTIL DEPLETED
On at dusk until battery depleted (typically 3-6 hours in winter - Only recommended for installations requiring light for a few hours after dusk ie. workplaces, retail etc.)

NOTE:
Load adjust according to battery capacity assuring all night long lighting in any weather condition.



The remote control needs to be pointed in the direction of the sensor head.

NOTE: Installation of LED luminaire with modification to the unit, or incorrect fitting in accordance with the above instructions could result in damage/failure of the luminaire, which may invalidate warranty.

MANUFACTURER'S GUARANTEE

This product is guaranteed in the country of purchase for the number of years as stated from the date of purchase. The guarantee is invalid in the case of improper use, installation, tampering, removal of the Q.C. date label, installation in an improper working environment or installation not in accordance with the advised instructions and/or national wiring regulations. Should this product fail during the guarantee period it will be replaced free of charge, subject to correct installation and return of the faulty unit. We do not accept responsibility for any installation costs associated with the replacement of this product. This warranty is in addition to the statutory rights in your country of purchase and reserve the right to alter specifications without prior notice.