

SEDNA



**1500
W**

LED Stadium/Sport Light

LED Stadium/Sport Light

300W-1500W



Wattage



300W



600W



900W



1200W



1500W-G2

LED Stadium/Sport Light

SD-SFL-300

Specifications

Optical Data

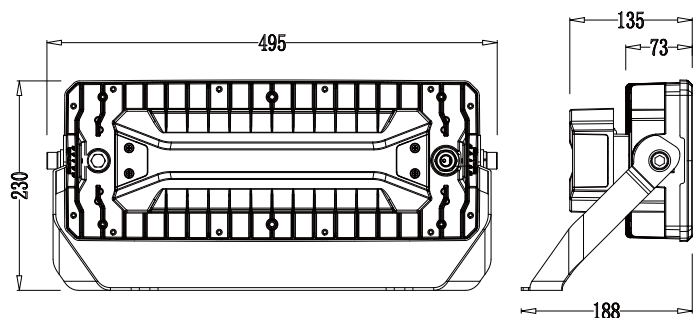
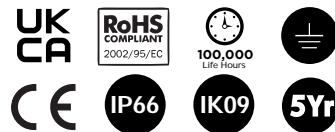
Wattage	300W
LED Type	2835
Efficiency	150LM/W
Luminous Flux	45000LM
CCT	3000K/4000K/5000K/5700K/ 6500K
Beam Angle	15°/30°/60°/90°/120°/150°/60°/ 20°*30°/WB-P60°/130°*30°/T3-VS
CRI	>70Ra
System Efficiency	>90%

Electrical Data

Input Voltage	AC100-277V
Power Frequency	50/60Hz
Output Voltage	DC54V
Power Efficiency	92%
Power Factor	0.95
Total Harmonic Distortion	<15%

Others

IP Rating	IP66
Lifetime(L70 Standard)	100,000 hours
Heat Radiator	Die-cast aluminum
Lens Material	PC
Gross Weight	7.3kg
Fixture Dimension	495x230x188mm



LED Stadium/Sport Light

SD-SFL-600

Specifications

Optical Data

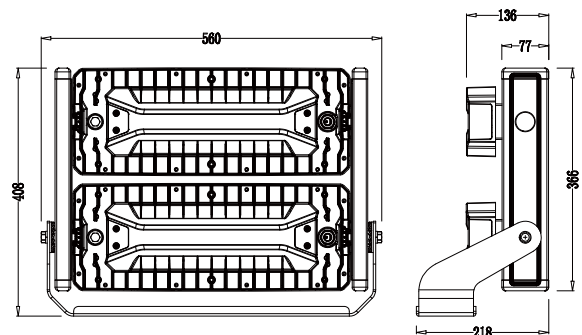
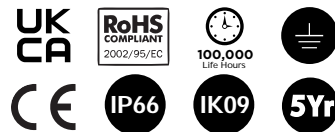
Wattage	600W
LED Type	2835
Efficiency	150LM/W
Luminous Flux	90000LM
CCT	3000K/4000K/5000K/5700K/ 6500K
Beam Angle	15°/30°/60°/90°/120°/150°/60°/ 20°*30°/WB-P60°/130°*30°/T3-VS
CRI	>70Ra
System Efficiency	>90%

Electrical Data

Input Voltage	AC100-277V
Power Frequency	50/60Hz
Output Voltage	DC54V
Power Efficiency	92%
Power Factor	0.95
Total Harmonic Distortion	<15%

Others

IP Rating	IP66
Lifetime(L70 Standard)	100,000 hours
Heat Radiator	Die-cast aluminum
Lens Material	PC
Gross Weight	14kg
Fixture Dimension	408x560x218mm



LED Stadium/Sport Light

SD-SFL-900

Specifications

Optical Data

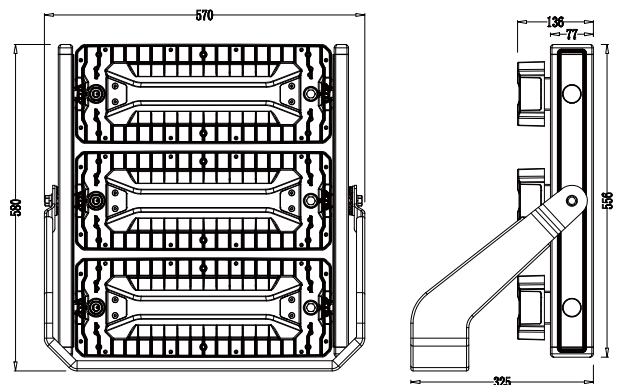
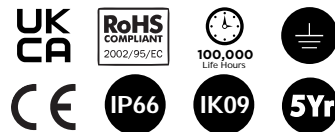
Wattage	900W
LED Type	2835
Efficiency	150LM/W
Luminous Flux	135000LM
CCT	3000K/4000K/5000K/5700K/ 6500K
Beam Angle	15°/30°/60°/90°/120°/150°60°/ 20°30°/WB-P60°/130°30°/T3-VS
CRI	>70Ra
System Efficiency	>90%

Electrical Data

Input Voltage	AC100-277V
Power Frequency	50/60Hz
Output Voltage	DC54V
Power Efficiency	92%
Power Factor	0.95
Total Harmonic Distortion	<15%

Others

IP Rating	IP66
Lifetime(L70 Standard)	100,000 hours
Heat Radiator	Die-cast aluminum
Lens Material	PC
Gross Weight	19kg
Fixture Dimension	580x570x325mm



LED Stadium/Sport Light

SD-SFL-1200

Specifications

Optical Data

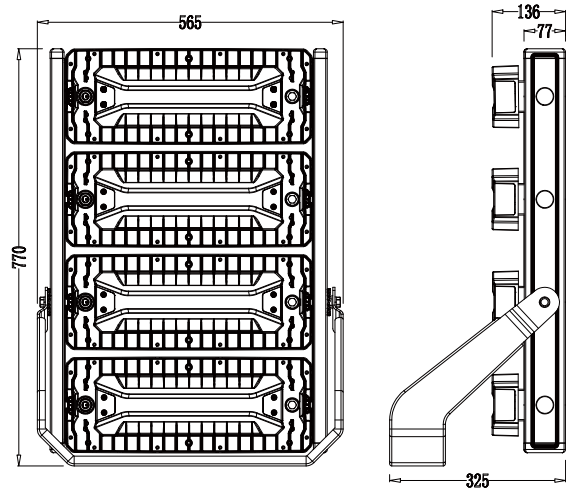
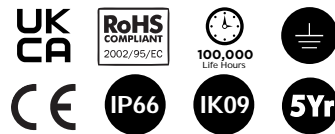
Wattage	1200W
LED Type	2835
Efficiency	150LM/W
Luminous Flux	180000LM
CCT	3000K/4000K/5000K/5700K/ 6500K
Beam Angle	15°/30°/60°/90°/120°/150°/60°/ 20°/30°/WB-P60°/130°/30°/T3-VS
CRI	>70Ra
System Efficiency	>90%

Electrical Data

Input Voltage	AC100-277V
Power Frequency	50/60Hz
Output Voltage	DC54V
Power Efficiency	92%
Power Factor	0.95
Total Harmonic Distortion	<15%

Others

IP Rating	IP66
Lifetime(L70 Standard)	100,000 hours
Heat Radiator	Die-cast aluminum
Lens Material	PC
Gross Weight	25kg
Fixture Dimension	770x565x325mm



LED Stadium/Sport Light

SD-SFL-1500-G2

Specifications

Optical Data

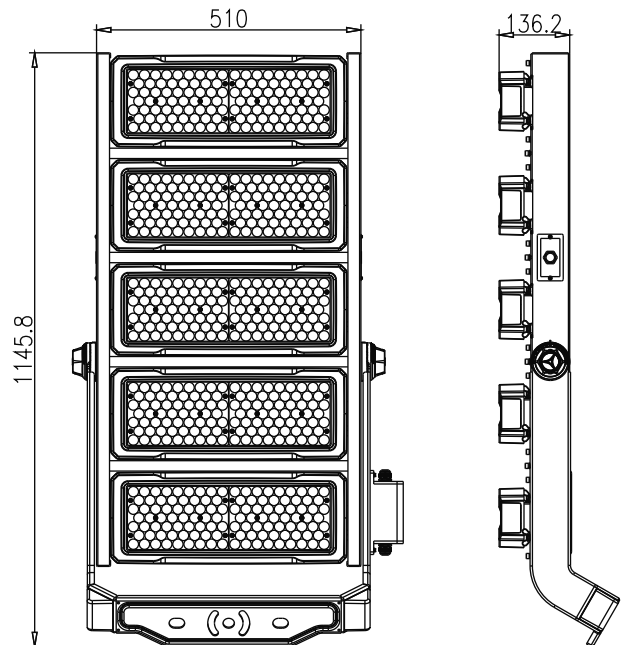
Wattage	1500W
LED Type	Philips/Samsung
Efficiency	130LM/W
Luminous Flux	195,000LM
CCT	3000K/4000K/5000K/5700K/ 6500K
Beam Angle	10°/30°/60°/120°/150°*60°/T3-VS
CRI	>70Ra
System Efficiency	>90%

Electrical Data

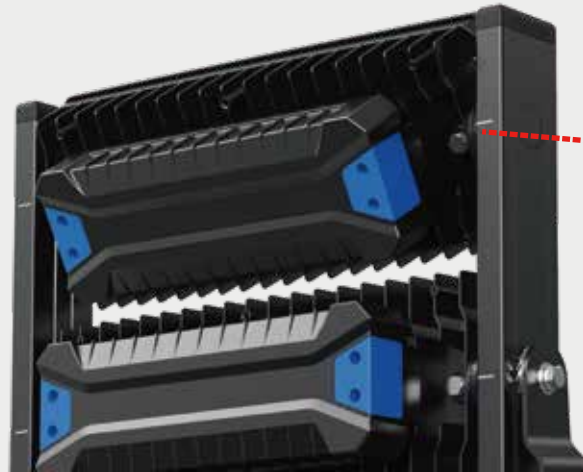
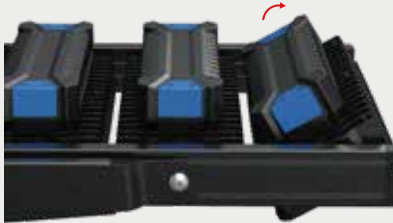
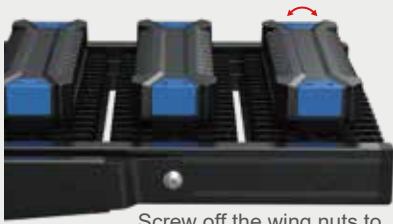
Power Supply	Meanwell driver
Input Voltage	AC100-277V/AC240-480V
Power Frequency	50/60Hz
Output Voltage	DC48V
Power Efficiency	92%
Power Factor	0.95
Total Harmonic Distortion	<15%

Others

IP Rating	IP66
Lifetime(L70 Standard)	100,000 hours
Heat Radiator	Die-cast aluminum
Lens Material	PC
Carton Dimensions	1207*617*235mm
Gross Weight	43.5kg
Fixture Dimension	1145.8*510*136.2mm



Rotation



Revolving the arrow to the horizontal of bracket, slideable gear.

Replace the light



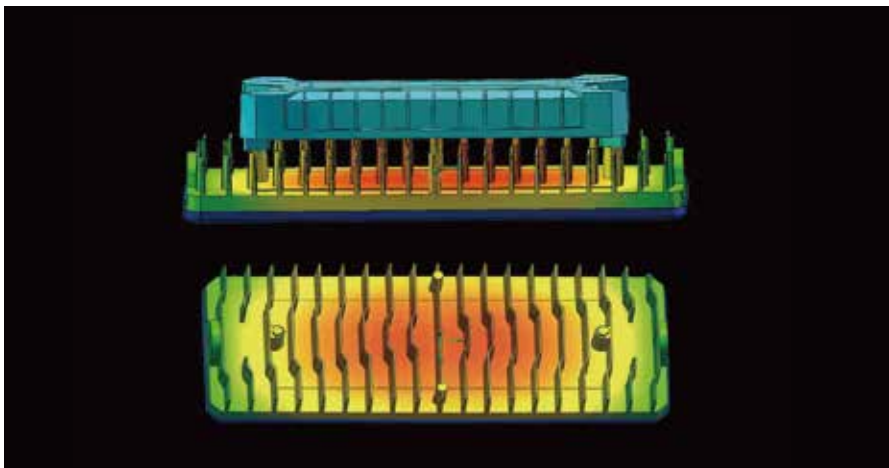
Put the lights to the clip, screw down the wing nuts to 90° angle. Insert the waterproof connector to the socket, light up the light.

Auxiliary accessories

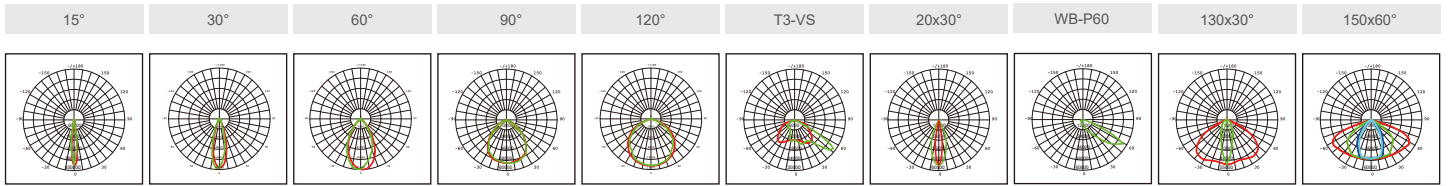
Light barrier



Laser diode aiming device



Photometric Diagrams



Installation

Multiple installation available

<p>1. ✖</p>	<p>2. ✖</p>	<p>3. ✖</p>	<p>4. ✖</p>	<p>5. ✖</p>	<p>6. ✖</p>
<p>7. ✖</p> <p>8. A single module can be rotated by $\pm 30^\circ$ and rotated 5° 10° 15° 20° 30°</p>		<p>8. ✖</p> <p>9. After adjusting the angle, fix the necessary safety ropes to the fixture. The other end is fixed on the mounting pole</p>		<p>9. ✖</p> <p>10. Wiring, distinguishing between positive and negative poles and grounding wire</p>	

Trunion Mount Kit

<p>The lamp body rotates at an angle of 180°</p>	<p>For module replacement, you need to unscrew the waterproof male and female heads and loosen the butterfly-shaped claw screws so that the rotating parts of the connecting arm are fully opened to 90°, so that the module can be taken out and replaced!</p>
--	---

Knuckle Mount Slip Fitter Kit

<p>1. ✖</p>	<p>2. ✖</p>	<p>3. ✖</p>	<p>4. ✖</p>	<p>5. ✖</p>
<p>1. Open the outer box and take out the light</p> <p>2. Remove the hexagon socket screws and fix the fixture</p> <p>3. Fix the lamp head on the straight arm bracket and tighten</p> <p>4. Wiring, distinguishing between positive and negative poles and grounding wire</p> <p>5. Confirm the installation OK, adjust the appropriate angle, the single module can rotate at an angle of $\pm 30^\circ$</p>				

www.sedna.lighting

Sedna Lighting Ltd
Sedna House (Industrial Units),
Marshfield Road,
South Glamorgan, UK
CF3 2UW

Tel +44 02920 099 092
Fax +44 02920 099 091
Email info@sedna.lighting
Web www.sedna.lighting