

The  
**Ledstore**.co

The bright lighting solution for

**LED Lighting** and **Luminaires**

**Exterior and Street**

[www.theledstore.co](http://www.theledstore.co)  
[sales@theledstore.co](mailto:sales@theledstore.co)

03333 444 943



# PRODUCT GUIDE



## Street & Roadway Lighting

Infinity II™ - LED Street Luminaire	4
ECO - LED Street Lantern	8
All-in-one Solar Street Lantern	10



## Car Park & Amenity Lighting

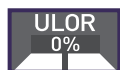
Blade II - LED Post-top	12
Panhead - LED Post-top	14
Eclipse - LED Post-top	16
Top Hat - LED Post-top	18
Slimline - LED Post-top	20
360 - LED Post-top	22
Globe - LED Post-top	24
Victorian - LED Post-top	26
Doha - LED Cylindrical Luminaire	28

## Our standards

Use these icons to understand some of our key lighting features.



This logo indicates a luminaire with ULOR of less than 2%.



Upward Light Output Ratio. The ULOR value shows the proportion of upward light produced from the luminaire.



Size of post-top column entry



This indicates the level of ingress against moisture or dust. The first digit shows you the dust protection, and the second the moisture protection.



An international numeric classification for the degrees of protection provided by enclosures for electrical equipment against external mechanical impacts.



Hours of use when LED source maintains 70% of their initial lumens

## HIGH PERFORMANCE LIGHTING SOLUTIONS

### WHO WE ARE

European based The LED Store® manufacture and distribute a range of LED lighting and luminaires for the global market, with special focus on commercial, industrial & exterior applications from battens, vapour proofs & emergency lighting, to highbay, street/sports lights & lighting columns.

We have teams based in the UK & Europe, as well as Middle East & Asia, comprised of technical design, sales, marketing and after-sales staff work to provide our partners and customers industry leading design, support and distributor packages. Your assurance and peace of mind comes from a long established UK based company, dedicated to quality and the highest levels of customer service.

### WHAT WE DO

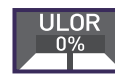
We offer a large range of stock products for next day distribution from the UK & Europe, as well as providing an OEM service design and manufacture to suit the precise needs of your projects and applications. Nike, Hilton Hotels, Formula 1, Manchester City Football Club and Panasonic are just some of the trusted global brands that use our lighting products.

Find out more about our lighting products and services online.

[www.theledstore.co](http://www.theledstore.co)



# Infinity II™ - LED Street Luminaire



Infinity II™ series street light is a minimalistic slimline LED street luminaire designed for column/post mounting at heights of 4-25m, with a range of sizes across 20W - 300W (3,000-45,000lm). IP66/IK10 design with polyester RAL 7015 (9006 on request) salt spray tested powder coating + organopolysiloxane weatherproof gasket for the harsh environments from -20°C to +55°C. This robust and high-performance LED lantern brings comfort and safety to urban applications such as car park, roadways and pedestrian areas. Range of PMMA optic lens ensures a high degree of uniformity across a range of existing lighting pole installations reduced light spillage, thus further enhancing this Lumileds® 5050 NETT 150lm/W luminaire to give optimum lux levels throughout. Furthermore, InfinityII™ series luminaire compatible with NEMA socket for photocell/wireless plug-in or in 1-10V / DALI for PLC or dedicated dimming & controls.

Additional benefits include +100,000 hour maintenance free performance, with no-tools/quick release access to the internal control gear tray for installation. Unit complete with bracket for both 60mm & 76mm bottom & side entry hence universally compatible, in which angle can be adjusted around 10° for increased spread + built in spirit level for ease of install. Furthermore, the hinge mechanism further secured with stainless steel safety strap.



Strong high pressure die-cast aluminium casing with smooth outer surface and internal fins to dissipate heat



Versatile mounting, multiple lumen and optic packages bring comfort and safety to any road or street



Contractor friendly design with tool-less access and automatic disconnect function makes maintenance safe and easy



# Product information

Durable with rated life span L70>100,000 hours / NO UV or IR emission / Instant illumination & flicker free / UKCA, CE & RoHS international standards / Heavy duty salt spray tested polyester powder coated RAL 7015 (9006 on request) die-cast aluminium housing / 5mm high light transmission toughened glass / Range of PMMA optics for different roads / 40-60mm side or 60mm/76mm bottom entry / Adjustable angle +/-10° / Organopolvsiloxane weatherproof gasket / 3/7 pin NEMA ready or Zhaga socket on request / Available in DALI & 1-10V for wireless/PLC control systems / Complies with EN60598

Code	Nominal Size	Power Consumption	Net Lumen Output	Mount Height	Weight	Windage
LSTINF2-020	475mm x 270mm x 120mm	20W	3,000lm	3-5m	3.85kg	0.08m <sup>2</sup>
LSTINF2-030	475mm x 270mm x 120mm	30W	4,500lm	3-5m	3.85kg	0.08m <sup>2</sup>
LSTINF2-040	475mm x 270mm x 120mm	40W	6,000lm	4-6m	3.85kg	0.08m <sup>2</sup>
LSTINF2-050	475mm x 270mm x 120mm	50W	7,500lm	4-6m	3.85kg	0.08m <sup>2</sup>
LSTINF2-060	587mm x 264mm x 120mm	60W	9,000lm	6-8m	5.35kg	0.13m <sup>2</sup>
LSTINF2-090	587mm x 264mm x 120mm	90W	13,500lm	6-8m	5.35kg	0.13m <sup>2</sup>
LSTINF2-120	638mm x 269mm x 120mm	120W	18,000lm	7-16m	5.80kg	0.15m <sup>2</sup>
LSTINF2-150	638mm x 269mm x 120mm	150W	22,500lm	7-16m	5.80kg	0.15m <sup>2</sup>
LSTINF2-180	638mm x 269mm x 120mm	180W	27,000lm	7-16m	5.80kg	0.15m <sup>2</sup>
LSTINF2-200	785mm x 343mm x 143mm	200W	30,000lm	12-25m	9.55kg	0.17m <sup>2</sup>
LSTINF2-240	785mm x 343mm x 143mm	240W	36,000lm	12-25m	9.55kg	0.17m <sup>2</sup>
LSTINF2-300	785mm x 343mm x 143mm	300W	45,000lm	12-25m	9.55kg	0.17m <sup>2</sup>

## Benefits -

- Robust and high-performance premium LED lantern brings comfort and safety to any road or street

## Key Features -

- Designed with smooth surfaces, the curved profile eliminates accumulation of dirt and 'ponding' of fluids
- No-tools/quick release access to the internal control gear tray for maintenance
- Dark sky friendly, no light pollution (ULOR 0%)
- Various dimming/control options: 3/7 pin NEMA ready or Zhaga socket on request
- High performance lighting with optimised light distributions designed for exterior lighting applications
- Spigot for 40-60mm side entry and 60mm/76mm bottom entry



## Technical Specification

Beam Angle: Optic SS (Standard Street)  
Optic WS (Wide Street)  
Optic NS (Narrow Street)

Luminous Efficacy: 150lm/W

Input Voltage: 100-277VAC

Color Rendering Index: ≥80Ra

LED Type: Lumileds 5050

Operating Temperature: -20°C to 55°C

Power Factor: ≥0.95

Mounting Option: Side-entry - Ø40-60mm  
Post-top - Ø60mm or 76mm

Mounting Height: 3-25m

Color Temperature: Neutral White 4000K  
(Others available on request)

## Applications:



Car Parks



Railway  
Stations &  
Metros



Bridges



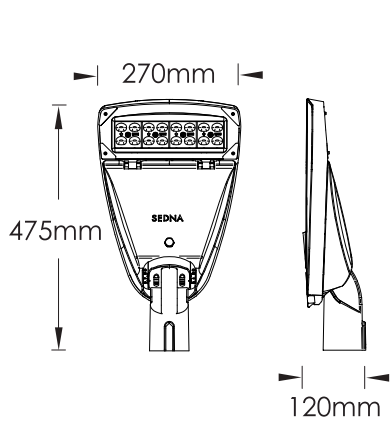
Urban &  
Residential  
Streets



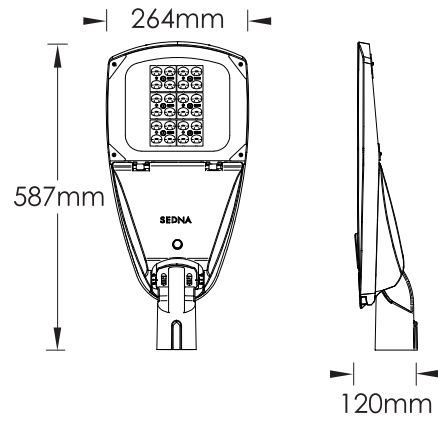
Bike &  
Pedestrian  
Paths



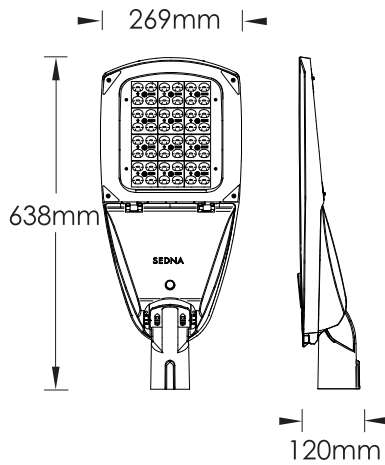
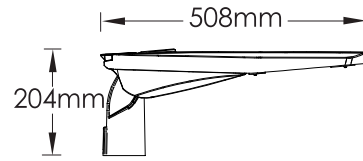
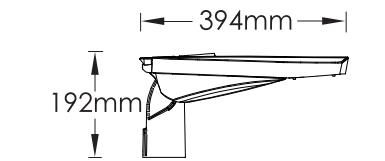
Squares &  
Pedestrian  
Areas



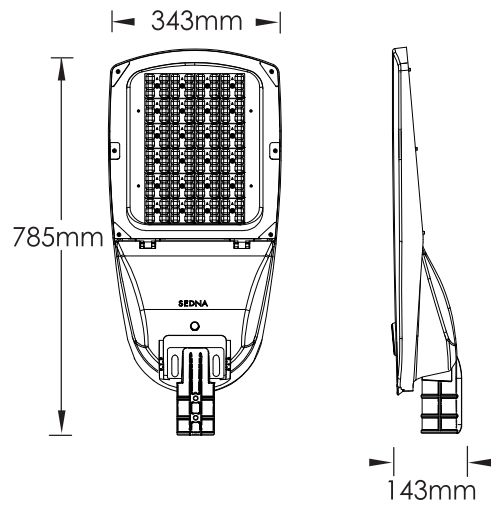
LSTINF2-020/050



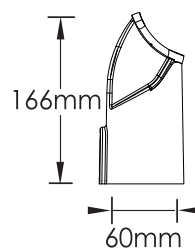
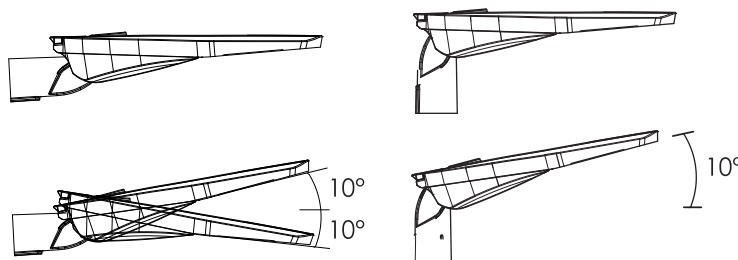
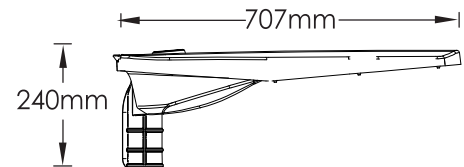
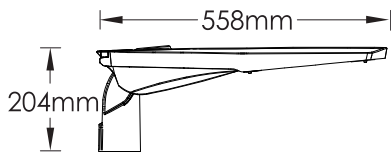
LSTINF2-060/090



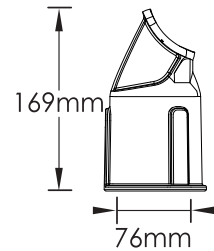
LSTINF2-120/180



LSTINF2-200/300

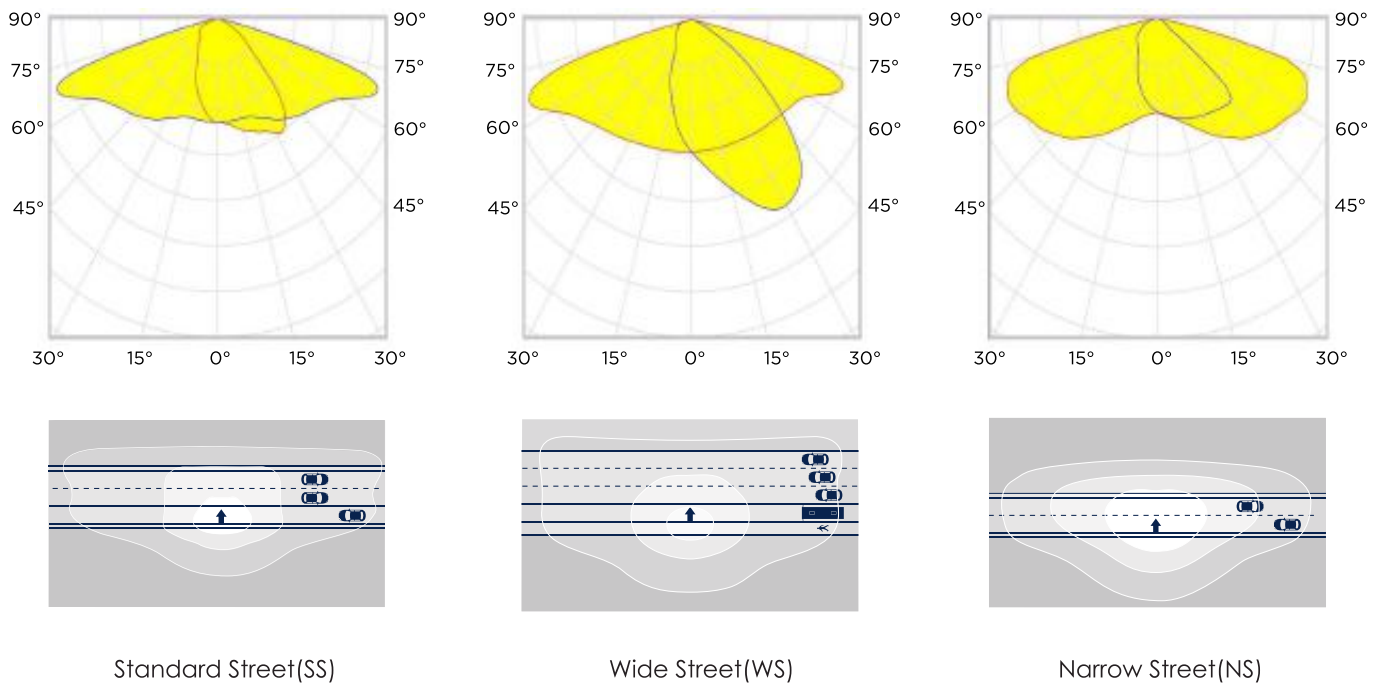


LSTINF2-BR-60  
In-built 60mm Bracket



LSTINF2-BR-76  
In-built 76mm Bracket

# Photometric distribution



# Design Features

## Automatic electrical disconnection

Safety feature, cuts power to the luminaire when opened



**Durable construction**  
High pressure die-cast aluminium body for corrosion resistance and added durability



**Toolless entry**  
Internal components are easily accessed without the need for tools

**Surge protection device**  
Built-in 10KV surge protection, 20KV is available on request

**Hinged opening**  
Easy access to control gear, lift off head to aiding installation and maintenance

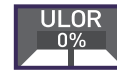
**Ease of Installation**  
Spirit level included

**Performance lighting**  
Nanomaterial reflector further enhances efficacy to 150lm/W

**Flexible mounting**  
Direct post [Ø60mm/Ø76mm] Side entry [Ø60mm]  
Direct post/side entry inclination: -10° -5° 0° +5° +10°



# ECO - LED Street Lantern



The LED ECO Street Lantern light is an economical solution for a wide range of exterior lighting applications. The luminaire comes in multiple lumen packages from 20-60W and is designed for column/post mounting at heights of 3-8m. The IP66 body is designed for exterior environments, with a sleek silvery grey die-cast aluminium body for harsh weather conditions.

The luminaire is great for urban applications such as car parks, roads, foot paths, residential areas, housing developments, zebra crossings and pedestrian areas. The PMMA optic lens ensures a high degree of uniformity across a range of spaces and reduced light spillage, thus further enhancing this 140lm/W efficacy luminaire to give optimum lux levels throughout. Furthermore, the LED ECO Street Lantern is available to upgrade for an inbuilt 3-pin NEMA socket and Lucy Zodion photocell dusk til dawn sensor for further energy savings. The luminaire is 60mm side entry as standard, but has the option of an adjustable tilt bracket which mounts direct onto a 76mm column.

Additional benefits of the light include +60,000 hour maintenance free performance and minimal disturbance to nocturnal wildlife due to the lack of the UV/IR spectrum associated with LED photometric characteristics.



Standard 3/7 pin NEMA available or Zhaga sockets on request



Economical solution for a wide range of applications



Ø60mm side-entry as standard, optional adjustable bracket for Ø76mm post top

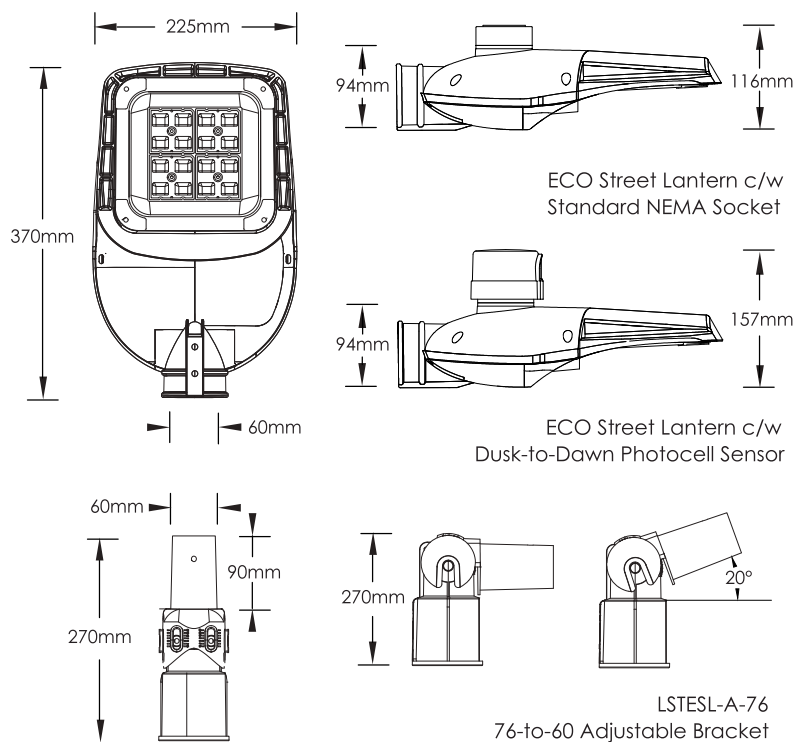


# Product information

Durable with rated life span L70>60,000 hours / No UV or IR emissions / Instant Illumination & flicker free / UKCA, CE & RoHS international standards / Environmentally friendly & part recyclable: no mercury or other hazardous materials used / Heavy duty die-cast aluminium housing & 4mm impact proof tempered glass / Complies with EN60598

Code	Nominal Size	Power Consumption	Lumen Output	Nett Weight	Windage
LSTESL-020	370mm x 225mm x 94mm	20W	2,800lm	2.3kg	0.08m <sup>2</sup>
LSTESL-030	370mm x 225mm x 94mm	30W	4,200lm	2.3kg	0.08m <sup>2</sup>
LSTESL-040	370mm x 225mm x 94mm	40W	5,600lm	2.5kg	0.08m <sup>2</sup>
LSTESL-050	370mm x 225mm x 94mm	50W	7,000lm	2.5kg	0.08m <sup>2</sup>
LSTESL-060	370mm x 225mm x 94mm	60W	8,400lm	2.5kg	0.08m <sup>2</sup>

## Dimensions and mounting



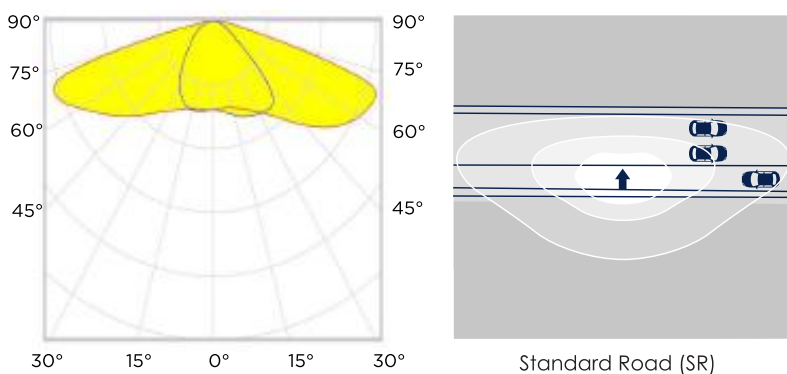
## Technical Specification

Beam Angle: Optic SR (Standard Road)  
 Luminous Efficacy: 140lm/W  
 Input Voltage: 100-277VAC  
 Color Rendering Index: ≥80Ra  
 LED Type: LM80 3030LEDs  
 Operating Temperature: -20°C to 50°C  
 Power Factor: ≥0.95  
 Mounting Option: Side-entry - Ø60mm  
 Post-top - Ø76mm (with accessory)  
 Mounting Height: 3-8m  
 Color Temperature: Neutral White 4000K  
 (Others available on request)

## Applications:



## Photometric distribution



## Benefits -

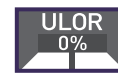
- Economical solution for a wide range of exterior lighting applications

## Key Features -

- Robust design for maintained performance over time
- Dark sky friendly, no light pollution (ULOR 0%)
- Ø60mm side-entry as standard, optional adjustable bracket for Ø76mm post top
- Various dimming/control options: 3/7 pin NEMA ready or Zhaga socket on request
- High performance lighting with optimised light distributions designed for exterior lighting applications



# All-in-one Solar Street Lantern



With an integrated Mono-Si solar panel and LiFePO4 battery, the all-in-one solar LED street lantern makes it easier than ever to meet your sustainability targets. All in a compact housing, you can bring it to both urban and rural areas without access to the electric grid for years to come. The luminaire comes in a range of lumen packages up to 3,600 lumens and is designed for column/post mounting at heights of 3-5m.

With a high tightness level and a very high degree of impact resistance, this luminaire is built to withstand harsh environmental conditions and vandalism to perform over time. High-pressure die cast aluminium housing finished with integrated Mono-Si solar panel which has 25 years anticipated life span, all-in-one solar street lantern gives long lasting and optimised illumination with no uplight pollution. The luminaire is 50mm/60mm side entry as standard, but has the option of an adjustable tilt bracket which mounts direct onto a 76mm column.

All-in-one solar street lantern is made for quick and simple installation without worrying about complicated and frustrating electrical wiring. The luminaire reaches a working time of up to 20-24 hours with as little as 6 hours daily charge. Additional benefits include fully automated from dusk till dawn and pre-set time dimming to maintain optimum performance.



Integrated Mono-Si solar panel with 25 years of anticipated lifespan



All-in-one compact body, easy to install without making electrical connections



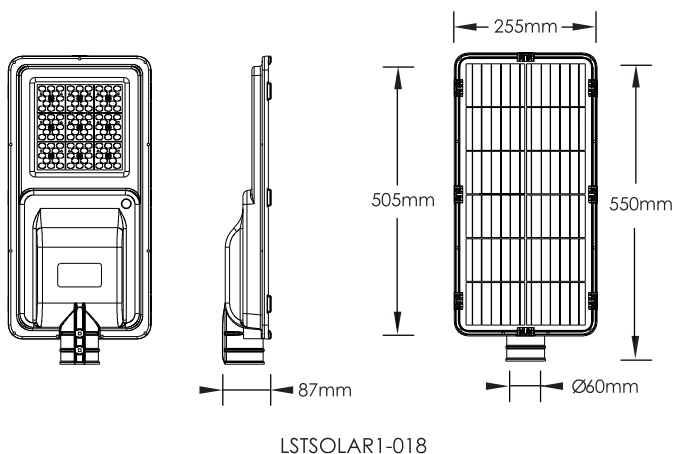
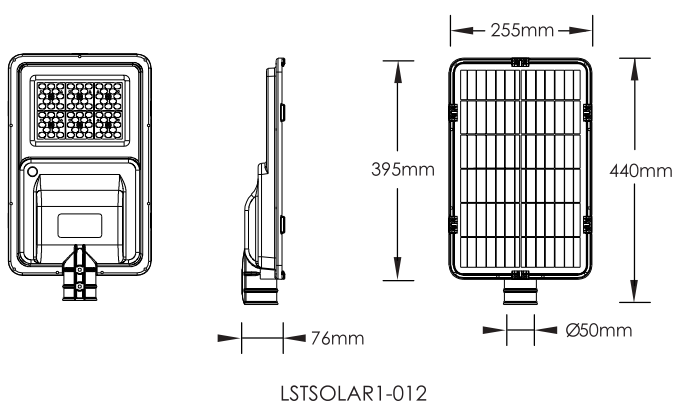
Multiple lumen packages with long operational working hours

# Product information

Durable with rated life span L70>50,000 hours / Mono-Si solar panel / LiFePO4 battery / No UV or IR emissions / UKCA, CE & RoHS international standards / Environmentally friendly & part recyclable: no mercury or other hazardous materials used / Heavy duty die-cast aluminium housing & 4mm impact proof tempered glass / Complies with EN60598

Code	Nominal Size	Power Consumption	Lumen Output Maximum	Battery Type	Nett Weigh	Windage
LSTSOLAR1-012	440mm x 225mm x 76mm	12W	2,160lm	LiFePO4 68.2Wh	2.50kg	0.10m <sup>2</sup>
LSTSOLAR1-018	550mm x 225mm x 87mm	18W	3,240lm	LiFePO4 88.2Wh	3.16kg	0.13m <sup>2</sup>

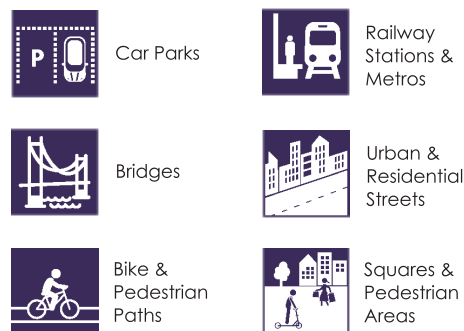
## Dimensions and mounting



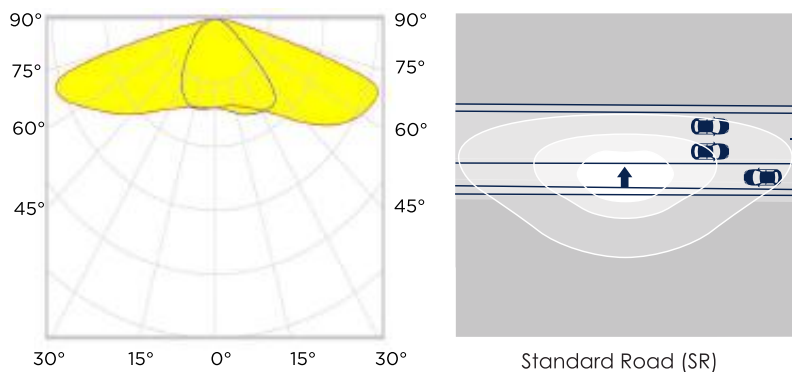
## Technical Specification

Beam Angle: Optic SR (Standard Road)  
 Luminous Efficacy: 180lm/W  
 Color Rendering Index: ≥80Ra  
 LED Type: LM80 3030LEDs  
 Solar Panel: Mono-si (25 years of anticipated lifespan)  
 Battery: LiFePO4 (8 years of anticipated lifespan)  
 Operating Temperature: 0°C to 40°C  
 Operating Hours: 20-24 hours (6 hours daily charge)  
 Mounting Option: Side-entry - Ø50mm/60mm  
 Post-top - Ø76mm (with accessory)  
 Mounting Height: 3-6m  
 Color Temperature: Neutral White 4000K  
 (Others available on request)

## Applications:



## Photometric distribution



## Benefits -

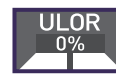
- Ideal for use in the remote areas where mains power is not available

## Key Features -

- Truly green lighting solution and 100% energy savings
- Long anticipated lifespan of Mono-Si solar panel and LiFePO4 battery
- Robust design for maintained performance over time
- Quik and easy installation without making electrical connections
- High performance lighting with optimised light distributions designed for exterior areas



# Blade II - LED Post-top street Luminaire



The architecturally-inspired shape of the Blade II post-top embodies grace and strength, creating a beautiful sculpture by day transforming into a beacon of comfort by night. Available in multiple lumen packages, its elegant design and pedestrian-friendly illumination elevate the experience of occupant in today's urban pedestrian spaces.

With a high tightness level and a very high degree of impact resistance, this luminaire is built to withstand harsh environmental conditions and vandalism to perform over time. High-pressure die cast aluminium housing finished with 5mm tempered prismatic glass, the Blade II luminaire gives all round uniform illumination while remains dark sky friendly, capable for reaching 20-30lux from typical 6-8m installations. The Blade II ensures photometric performance and visual comfort to offer safety and well-being in the public space. Furthermore, the luminaire is compatible with standard external mains photocells for dusk-fill-dawn control. The unit is complete with base mount suitable for 76mm post top entry hence universally compatible. Additional benefits include 140m/W efficacy, +100,000 hour maintenance free performance, no-tools/quick release access to internal gear tray for maintenance, and the hinge mechanism further secured with stainless steel safety strap.



Prismatic tempered glass designed for optimised light distributions



Tool-less/quick release access to internal gear tray for maintenance



House side shield to reduce excessive light spillage

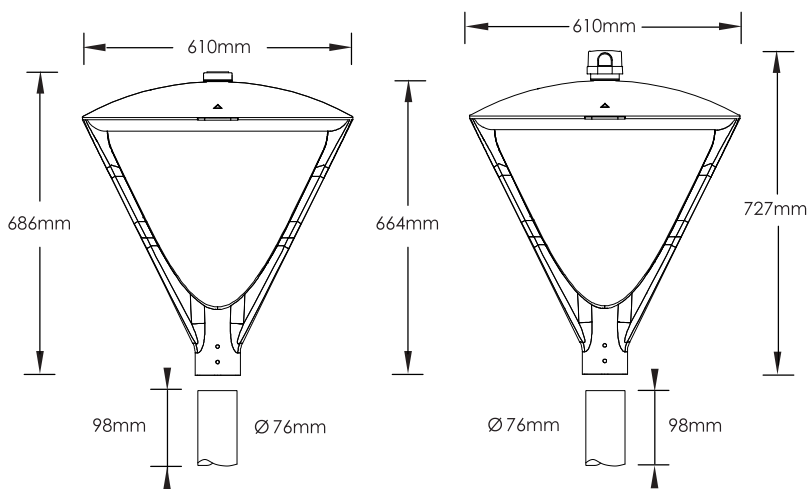


# Product information

Durable with rated life span L70>100,000 hours / No UV or IR emissions / Instant Illumination & flicker free / UKCA, CE & RoHS international standards / Environmentally friendly & part recyclable: no mercury or other hazardous materials used / Heavy duty die-cast aluminium housing & 5mm prismatic tempered glass / Available in DALI or 1-10V dimmable and PLC control systems / Complies with EN60598

Code	Nominal Size	Power Consumption	Lumen Output	Nett Weight	Windage
LSTBPT2-060	Ø610mm x 664mm	60W	8,400lm	12.5kg	0.18m <sup>2</sup>
LSTBPT2-090	Ø610mm x 664mm	90W	12,600lm	12.5kg	0.18m <sup>2</sup>
LSTBPT2-120	Ø610mm x 664mm	120W	16,800lm	13.0kg	0.18m <sup>2</sup>
LSTBPT2-150	Ø610mm x 664mm	150W	21,000lm	13.0kg	0.18m <sup>2</sup>

## Dimensions and mounting



Post-top on a Ø76mm with  
98mm long spigot - 8 x M8 screws

Blade II Post-top c/w  
Standard NEMA Socket

Blade II Post-top c/w  
Dusk-to-Dawn Photocell Sensor

## Technical Specification

Beam Angle: 150° x 150° (All-round-optic)  
Luminous Efficacy: 140lm/W  
Input Voltage: 100-277VAC  
Color Rendering Index: ≥80Ra  
LED Type: LM80 3030LEDs  
Operating Temperature: -20°C to 50°C  
Power Factor: ≥0.95  
Mounting Option: Post-top slip-over - Ø76mm  
Ø60mm (with an accessory)  
Mounting Height: 3-10m  
Color Temperature: Neutral White 4000K  
(Others available on request)

## Applications:



Car Parks



Railway  
Stations &  
Metros



Bridges



Urban &  
Residential  
Streets

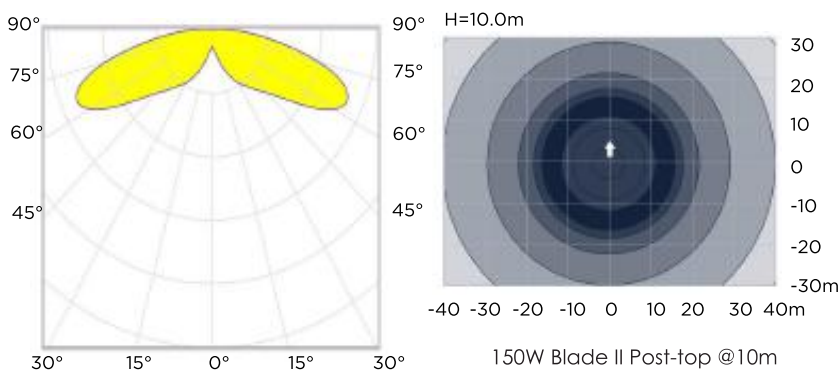


Bike &  
Pedestrian  
Paths



Squares &  
Pedestrian  
Areas

## Photometric distribution



## Benefits -

- Architecturally-inspired design to create an unique ambiance

## Key Features -

- Tool-less/quick release access to internal gear tray for maintenance
- Dark sky friendly, no light pollution (ULOR 0 %)
- Robust design for maintained performance over time
- Various dimming/control options: 3/7 pin NEMA ready or Zhaga socket on request
- High performance lighting with optimised light distributions designed for general open areas



# Panhead - LED Post-top street Luminaire



The Panhead Series post-top offers high-quality lighting, creating a safe and pleasant visual experience from column/post mounting at 3-10m high, suited to general open areas such as pedestrian areas, car parks and low-to-medium traffic urban applications. The minimalist and modern design provides an aesthetic continuity while generating massive energy savings.

With a high tightness level and a very high degree of impact resistance, this luminaire is built to withstand harsh environmental conditions and vandalism to perform over time. High-pressure die cast aluminium housing finished with 5mm tempered prismatic glass, the Panhead luminaire gives all round uniform illumination while remains dark sky friendly, capable for reaching 20-30lux from typical 6-8m installations. The luminaire ensures photometric performance and visual comfort to offer safety and well-being in the public space. Furthermore, the luminaire is compatible with standard external mains photocells for dusk-till-dawn control.

The unit is complete with base mount suitable for 76mm post top entry hence universally compatible. Additional benefits include 140m/W efficacy, +100,000 hour maintenance free performance, no-tools/quick release access to internal gear tray for maintenance, and the hinge mechanism further secured with stainless steel safety strap.



Standard 3/7 pin NEMA available or Zhaga sockets on request



Centrally mounted luminaire with 360° light distribution



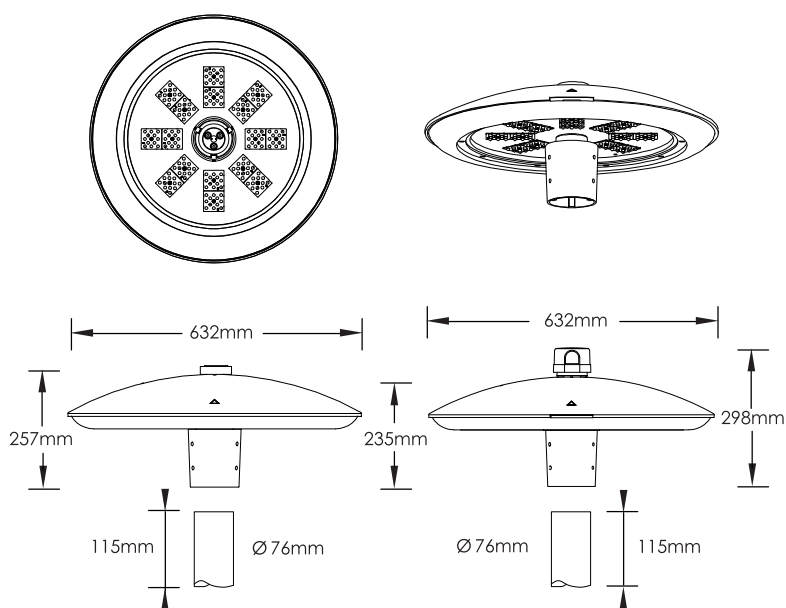
Suitable for Ø76mm column entry

# Product information

Durable with rated life span L70>100,000 hours / No UV or IR emissions / Instant Illumination & flicker free / UKCA, CE & RoHS international standards / Environmentally friendly & part recyclable: no mercury or other hazardous materials used / Heavy duty die-cast aluminium housing & 5mm prismatic tempered glass / Available in DALI or 1-10V dimmable and PLC control systems / Complies with EN60598

Code	Nominal Size	Power Consumption	Lumen Output	Nett Weight	Windage
LSTPHPT-060	Ø610mm x 235mm	60W	8,400lm	10.7kg	0.14m <sup>2</sup>
LSTPHPT-090	Ø610mm x 235mm	90W	12,600lm	10.7kg	0.14m <sup>2</sup>
LSTPHPT-120	Ø610mm x 235mm	120W	16,800lm	11.2kg	0.14m <sup>2</sup>
LSTPHPT-150	Ø610mm x 235mm	150W	21,000lm	11.2kg	0.14m <sup>2</sup>

## Dimensions and mounting

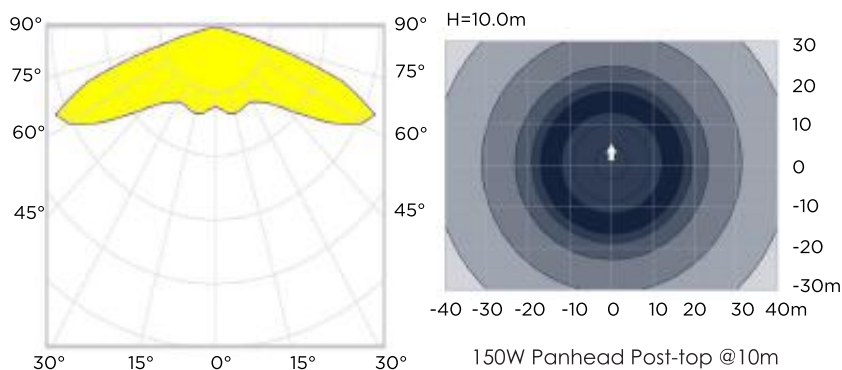


Post-top on a Ø76mm with  
115mm long spigot - 6 x M8 screws

Panhead Post-top c/w  
Standard NEMA Socket

Panhead Post-top c/w  
Dusk-to-Dawn Photocell Sensor

## Photometric distribution



## Technical Specification

Beam Angle: 150° x 150° (All-round-optic)  
Luminous Efficacy: 140lm/W  
Input Voltage: 100-277VAC  
Color Rendering Index: ≥80Ra  
LED Type: LM80 3030LEDs  
Operating Temperature: -20°C to 50°C  
Power Factor: ≥0.95  
Mounting Height: 3-10m  
Color Temperature: Neutral White 4000K  
(Others available on request)

## Applications:



Car Parks



Railway  
Stations &  
Metros



Bridges



Urban &  
Residential  
Streets



Bike &  
Pedestrian  
Paths



Squares &  
Pedestrian  
Areas

## Benefits -

- Safe and pleasant visual experience for effective and efficient car park lighting

## Key Features -

- Tool-less/quick release access to internal gear tray for maintenance
- Dark sky friendly, no light pollution (ULOR 0%)
- Robust design for maintained performance over time
- Various dimming/control options: 3/7 pin NEMA ready or Zhaga socket on request
- High performance lighting with optimised light distributions designed for general open areas



# Eclipse - LED Post-top street Luminaire



Eclipse provides an economical, aesthetic, comfortable, robust and efficient LED solution for the creation of ambiance. Thanks to the optimised design of diffusers, its elegant appearance and gentle glow brings safety and identity to any urban space such as pedestrian areas, car parks and low-to-medium traffic applications for column/post mounting at heights of 3-8m.

With a high tightness level and a very high degree of impact resistance, this luminaire is built to withstand harsh environmental conditions and vandalism to perform over time. High-pressure die cast aluminium housing finished with a UV-stabilised polycarbonate protector, the Eclipse luminaire gives all round uniform illumination while remains dark sky friendly, capable for reaching 20-30lux from typical 5-6m installations. The Eclipse ensures photometric performance and visual comfort to offer safety and well-being in the public space. Furthermore, the luminaire is compatible with standard external mains photocells for dusk-till-dawn control.

The unit is complete with base mount suitable for 76mm post top entry hence universally compatible. Additional benefits include 125lm/W efficacy, +100,000 hour maintenance free performance and minimal disturbance to nocturnal wildlife to the lack of UV/IR spectrum associated with LED photometric characteristics.



Equipped with an internal diffuser for superior visual comfort



Standard 3/7 pin NEMA available or Zhaga sockets on request



Slip-over mounting onto Ø76mm spigot

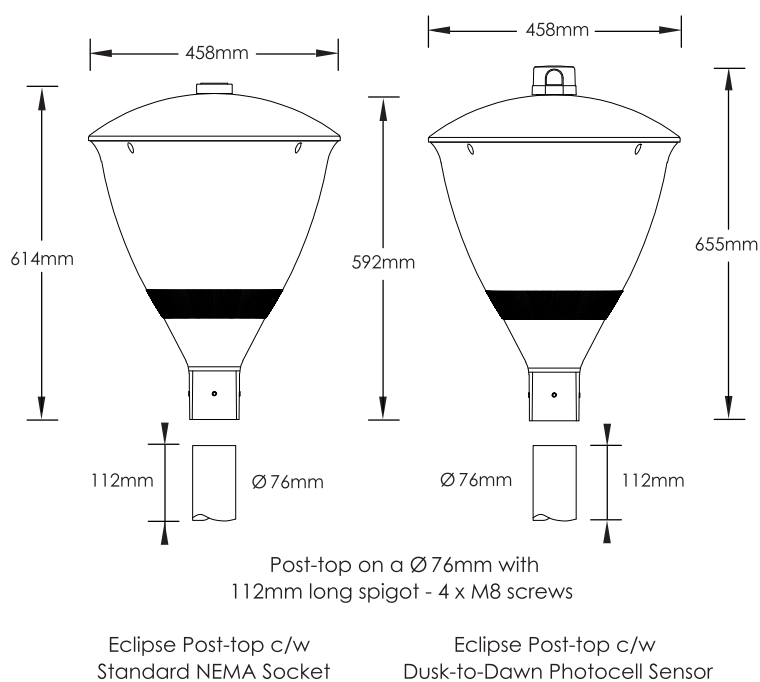


# Product information

Durable with rated life span L70>100,000 hours / No UV or IR emissions / Instant Illumination & flicker free / UKCA, CE & RoHS international standards / Environmentally friendly & part recyclable: no mercury or other hazardous materials used / Heavy duty die-cast aluminium housing & UV-stabilised polycarbonate / Complies with EN60598

Code	Nominal Size	Power Consumption	Lumen Output	Nett Weight	Windage
LSTEPT-030	Ø458mm x 592mm	30W	3,750lm	6.7kg	0.27m <sup>2</sup>
LSTEPT-050	Ø458mm x 592mm	50W	6,250lm	6.7kg	0.27m <sup>2</sup>
LSTEPT-080	Ø458mm x 592mm	80W	10,000lm	6.7kg	0.27m <sup>2</sup>

## Dimensions and mounting



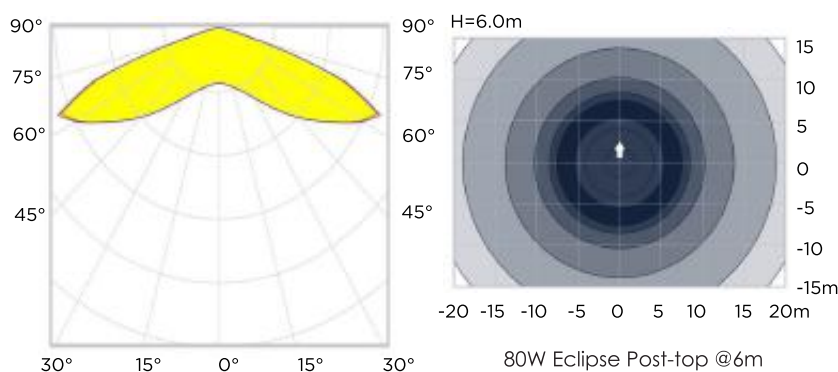
## Technical Specification

Beam Angle: 150° x 150° (All-round-optic)  
 Luminous Efficacy: 125lm/W  
 Input Voltage: 100-277VAC  
 Color Rendering Index: ≥80Ra  
 LED Type: LM80 3030LEDs  
 Operating Temperature: -20°C to 50°C  
 Power Factor: ≥0.95  
 Mounting Height: 3-8m  
 Color Temperature: Neutral White 4000K  
 (Others available on request)

## Applications:



## Photometric distribution



## Benefits -

- Right lighting offering high performance photometry, comfort and safety

## Key Features -

- Equipped with an internal diffuser for superior visual comfort
- Slip-over mounting onto a 76mm diameter spigot
- Robust design for maintained performance over time
- Various dimming/control options: 3/7 pin NEMA ready or Zhaga socket on request
- High performance lighting with optimised light distributions designed for general open areas



# Top Hat - LED Post-top street Luminaire



Top Hat provides an economical, aesthetic, comfortable, robust and efficient LED solution for the creation of ambiance. Thanks to the optimised design of diffusers, its elegant appearance and gentle glow brings safety and identity to any urban space such as pedestrian areas, car parks and low-to-medium traffic applications for column/post mounting at heights of 3-8m.

With a high tightness level and a very high degree of impact resistance, this luminaire is built to withstand harsh environmental conditions and vandalism to perform over time. High-pressure die cast aluminium housing finished with a UV-stabilised polycarbonate protector, the Top Hat luminaire gives all round uniform illumination while remains dark sky friendly, capable for reaching 20-30lux from typical 5-6m installations. The Top Hat ensures photometric performance and visual comfort to offer safety and well-being in the public space. Furthermore, the luminaire is compatible with standard external mains photocells for dusk-till-dawn control.

The unit is complete with base mount suitable for 76mm post top entry hence universally compatible. Additional benefits include 125lm/W efficacy, +100,000 hour maintenance free performance and minimal disturbance to nocturnal wildlife to the lack of UV/IR spectrum associated with LED photometric characteristics.



House side shield to reduce excessive light spillage



Standard 3/7 pin NEMA available or Zhaga sockets on request



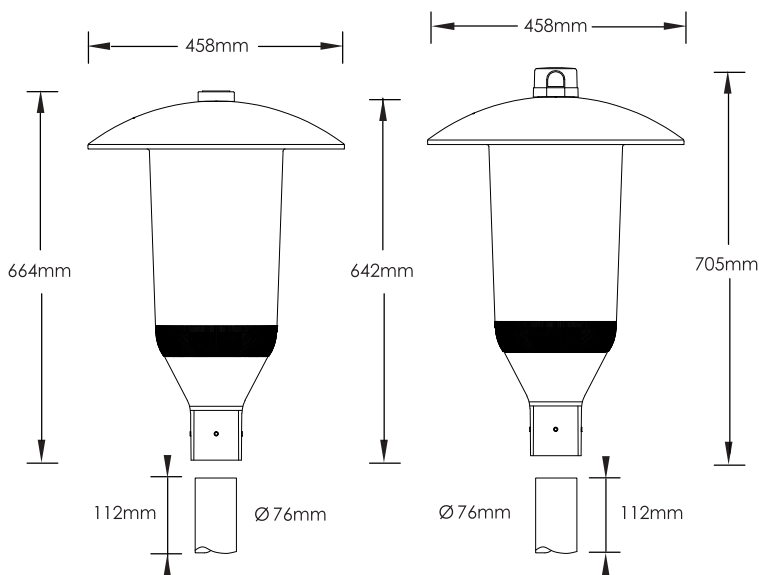
Equipped with an internal diffuser for superior visual comfort

# Product information

Durable with rated life span L70>100,000 hours / No UV or IR emissions / Instant Illumination & flicker free / UKCA, CE & RoHS international standards / Environmentally friendly & part recyclable: no mercury or other hazardous materials used / Heavy duty die-cast aluminium housing & UV-stabilised polycarbonate / Complies with EN60598

Code	Nominal Size	Power Consumption	Lumen Output	Nett Weight	Windage
LSTTHPT-030	Ø458mm x 592mm	30W	3,750lm	6.7kg	0.15m <sup>2</sup>
LSTTHPT-050	Ø458mm x 592mm	50W	6,250lm	6.7kg	0.15m <sup>2</sup>
LSTTHPT-080	Ø458mm x 592mm	80W	10,000lm	6.7kg	0.15m <sup>2</sup>

## Dimensions and mounting



Post-top on a Ø76mm with 112mm long spigot - 4 x M8 screws

Top Hat Post-top c/w Standard NEMA Socket

Top Hat Post-top c/w Dusk-to-Dawn Photocell Sensor

## Technical Specification

Beam Angle: 150° x 150° (All-round-optic)  
 Luminous Efficacy: 125lm/W  
 Input Voltage: 100-277VAC  
 Color Rendering Index: ≥80Ra  
 LED Type: LM80 3030LEDs  
 Operating Temperature: -20°C to 50°C  
 Power Factor: ≥0.95  
 Mounting Height: 3-8m  
 Color Temperature: Neutral White 4000K  
 (Others available on request)

## Applications:



Car Parks



Railway Stations & Metros



Bridges



Urban & Residential Streets

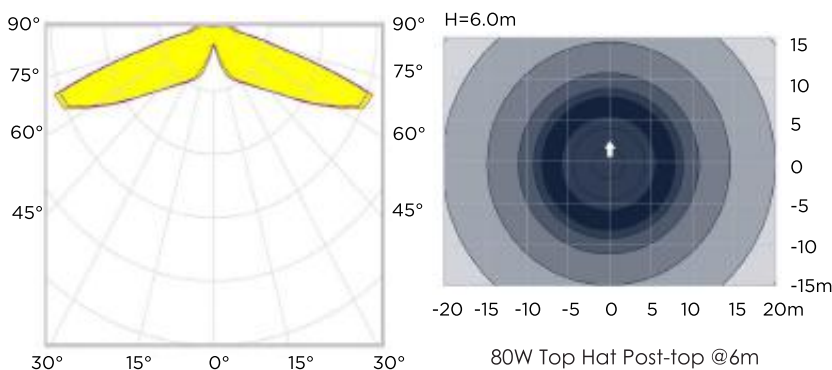


Bike & Pedestrian Paths



Squares & Pedestrian Areas

## Photometric distribution



## Benefits -

- Right lighting offering high performance photometry, comfort and safety

## Key Features -

- Equipped with an internal diffuser for superior visual comfort
- Slip-over mounting onto a 76mm diameter spigot
- Robust design for maintained performance over time
- Various dimming/control options: 3/7 pin NEMA ready or Zhaga socket on request
- High performance lighting with optimised light distributions designed for general open areas



# Slimline - LED Post-top street Luminaire



**76mm**

**100,000**  
Life Hours

**Dimmable**  
DALI/1-10V

**IP66**

**IK10**

**5Yr**

**ULOR**  
0%

The Slimline series post-top is available as a smooth cylinder or incorporate a large canopy. With two timeless aesthetic designs, the Slimline blends into all kinds of urban environments for column/post mounting at heights of 3-6m, suited to general open areas such as pedestrian areas, car parks and low-to-medium traffic urban applications.

With a high tightness level and a very high degree of impact resistance, this luminaire is built to withstand harsh environmental conditions and vandalism to perform over time. Optional top hat canopy for a traditional look or slimline PMMA optic only for a minimalistic look, with a best-in-class degree of uniformity across a range of existing and new lighting pole installations. Furthermore, luminaire comes with optional 3/7 Pin NEMA socket for photocell/wireless plug-in or in 1-10V / DALI for PLC or dedicated dimming & controls.

The unit is complete with base mount suitable for 76mm post top entry hence universally compatible. Additional benefits include 140m/W efficacy, +100,000 hour maintenance free performance and minimal disturbance to nocturnal wildlife to the lack of UV/IR spectrum associated with LED photometric characteristics.



Optimised light distributions designed for large open areas



Standard 3/7 pin NEMA available or Zhaga sockets on request



Suitable for Ø76mm column entry

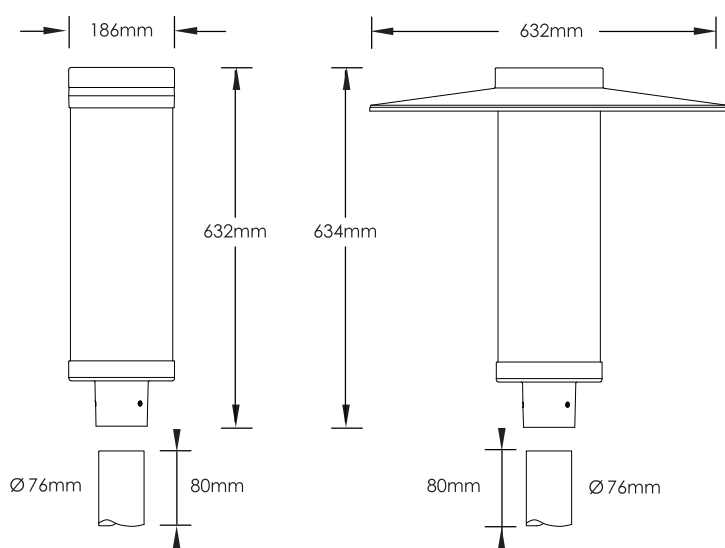


# Product information

Durable with rated life span L70>100,000 hours / No UV or IR emissions / Instant Illumination & flicker free / UKCA, CE & RoHS international standards / Environmentally friendly & part recyclable: no mercury or other hazardous materials used / Heavy duty die-cast aluminium housing & UV-stabilised PMMA / Complies with EN60598

Code	Nominal Size	Power Consumption	Lumen Output	Nett Weight	Windage
LSTSLPT-A-030	Ø186mm x 632mm	30W	4,200lm	4.2kg	0.14m <sup>2</sup>
LSTSLPT-A-050	Ø186mm x 632mm	50W	7,000lm	4.2kg	0.14m <sup>2</sup>

## Dimensions and mounting



Post-top on a Ø76mm with 80mm long spigot - 3 x M8 screws

LSTSLPT Slimline Post-top

LSTSLPT Slimline Post-top c/w Canopy Hood

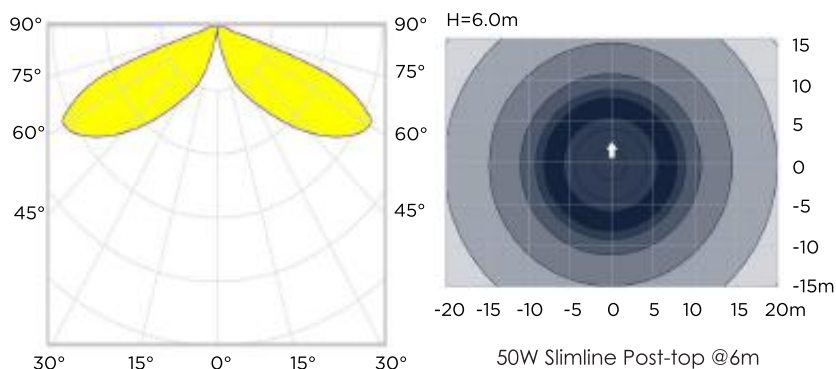
## Technical Specification

Beam Angle: 150° x 150° (All-round-optic)  
 Luminous Efficacy: 140lm/W  
 Input Voltage: 100-277VAC  
 Color Rendering Index: ≥80Ra  
 LED Type: LM80 3030LEDs  
 Operating Temperature: -20°C to 50°C  
 Power Factor: ≥0.95  
 Mounting Option: Post-top slip-over - Ø76mm  
 Mounting Height: 3-6m  
 Color Temperature: Neutral White 4000K  
 (Others available on request)

## Applications:



## Photometric distribution



## Benefits -

- Timeless urban lighting solution integrating the latest LED technology

## Key Features -

- Elegant and robust design with 2 aesthetic versions
- Dark sky friendly, no light pollution (ULOR 0%)
- Compatible with post-top mounting on a Ø76mm Column
- Various dimming/control options: 3/7 pin NEMA ready or Zhaga socket on request
- High performance lighting with optimised light distributions designed for general open areas



# 360 - LED Post-top street Luminaire



The 360 series post-top is a modern designed LED luminaire for column/post mounting at heights of 3-8m, suited to general open areas such as pedestrian areas, car parks and low-to-medium traffic urban applications. This classical shape is now refreshed to provide an aesthetic continuity while generating massive energy savings.

IP65 RAL Black die-cast housing finished with a prismatic polycarbonate diffuser, the 360 luminaire gives all round uniform illumination with minimal light spillage, capable for reaching 20-30lux from typical 5-6m installations. The 360 ensures photometric performance and visual comfort to offer safety and well-being in the public space. The robust design guarantees maintained performance over time. Furthermore, the luminaire compatible with standard external mains photocells for dusk-fill-dawn control.

The unit is complete with base mount suitable for 76mm post top entry hence universally compatible. Additional benefits include 140m/W efficacy, +60,000 hour maintenance free performance and minimal disturbance to nocturnal wildlife to the lack of UV/IR spectrum associated with LED photometric characteristics.



Prismatic polycarbonate diffuser for uniform & pleasant illumination



Standard 3/7 pin NEMA available or Zhaga sockets on request



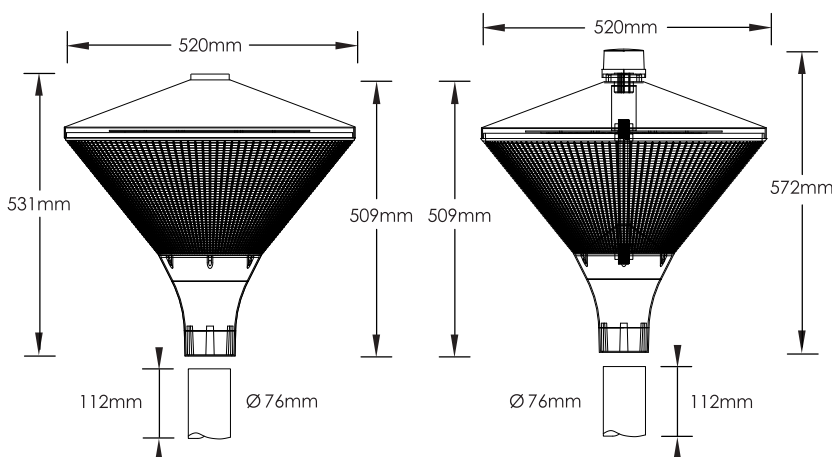
Suitable for Ø76mm column entry

# Product information

Durable with rated life span L70>60,000 hours / No UV or IR emissions / Instant Illumination & flicker free / UKCA, CE & RoHS international standards / Environmentally friendly & part recyclable: no mercury or other hazardous materials used / Heavy duty die-cast aluminium housing & prismatic low-glare polycarbonate diffuser / Complies with EN60598

Code	Nominal Size	Power Consumption	Lumen Output	Net Weight	Windage
LST360-030	Ø520mm x 509mm	30W	4,200lm	6.6kg	0.13m <sup>2</sup>
LST360-050	Ø520mm x 509mm	50W	7,000lm	6.6kg	0.13m <sup>2</sup>

## Dimensions and mounting



Post-top on a Ø76mm with  
112mm long spigot - 4 x M8 screws

360 Post-top c/w  
Standard NEMA Socket

360 Post-top c/w  
Dusk-to-Dawn Photocell Sensor

## Technical Specification

Beam Angle: 150° x 150° (All-round-optic)  
Luminous Efficacy: 140lm/W  
Input Voltage: 100-277VAC  
Color Rendering Index: ≥80Ra  
LED Type: LM80 3030LEDs  
Operating Temperature: -20°C to 50°C  
Power Factor: ≥0.95  
Mounting Height: 3-8m  
Color Temperature: Neutral White 4000K  
(Others available on request)

## Applications:



Urban &  
Residential  
Streets



Railway  
Stations &  
Metros



Bridges



Car Parks

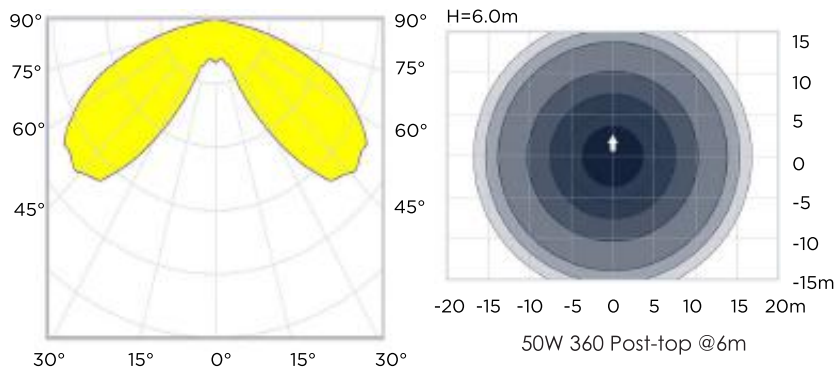


Bike &  
Pedestrian  
Paths



Squares &  
Pedestrian  
Areas

## Photometric distribution



## Benefits -

- Modern classic design for cost-effective urban lighting

## Key Features -

- Right lighting offering high performance photometry, comfort and safety
- Robust design for maintained performance over time
- Supplied pre-cabled to facilitate its installation
- Various dimming/control options: 3/7 pin NEMA ready or Zhaga socket on request
- High performance lighting with optimised light distributions designed for general open areas

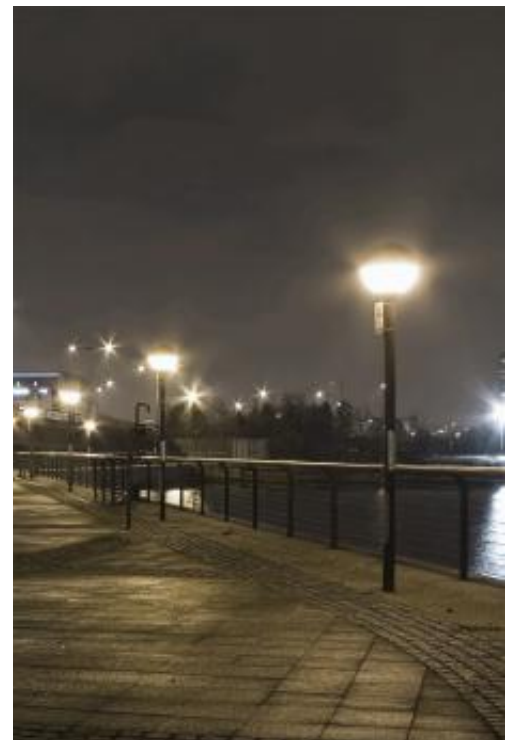
# Globe - LED Post-top street Luminaire



The Globe series post-top is a modern designed LED luminaire for column/post mounting at heights of 3-8m, suited to general open areas such as pedestrian areas, car parks and low-to-medium traffic urban applications. This classical shape is now refreshed to provide an aesthetic continuity while generating massive energy savings.

IP65 RAL Black die-cast housing finished with a prismatic polycarbonate diffuser, the Globe luminaire gives all round uniform illumination with minimal light spillage, capable for reaching 20-30lux from typical 5-6m installations. The Globe ensures photometric performance and visual comfort to offer safety and well-being in the public space. The robust design guarantees maintained performance over time. Furthermore, the luminaire is compatible with standard external mains photocells for dusk-till-down control.

The unit is complete with base mount suitable for 76mm post top entry hence universally compatible. Additional benefits include 140m/W efficacy, +60,000 hour maintenance free performance and minimal disturbance to nocturnal wildlife to the lack of UV/IR spectrum associated with LED photometric characteristics.



Prismatic polycarbonate diffuser for uniform & pleasant illumination



Standard 3/7 pin NEMA available or Zhaga sockets on request



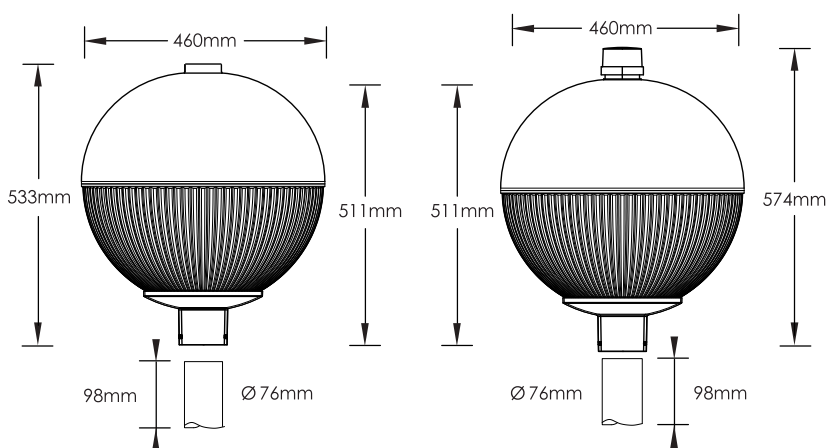
Suitable for Ø76mm column entry

# Product information

Durable with rated life span L70>60,000 hours / No UV or IR emissions / Instant Illumination & flicker free / UKCA, CE & RoHS international standards / Environmentally friendly & part recyclable: no mercury or other hazardous materials used / Heavy duty die-cast aluminium housing & prismatic low-glare polycarbonate diffuser / Complies with EN60598

Code	Nominal Size	Power Consumption	Lumen Output	Nett Weight	Windage
LSTGL-040	Ø460mm x 511mm	40W	5,600lm	6.9kg	0.16m <sup>2</sup>
LSTGL-060	Ø460mm x 511mm	60W	8,400lm	6.9kg	0.16m <sup>2</sup>

## Dimensions and mounting



Post-top on a Ø76mm with 98mm long spigot - 4 x M8 screws

Globe Post-top c/w Standard NEMA Socket

Globe Post-top c/w Dusk-to-Dawn Photocell Sensor

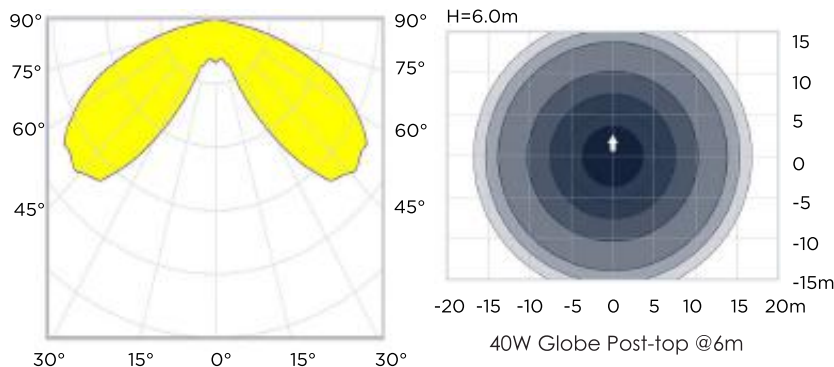
## Technical Specification

Beam Angle: 150° x 150° (All-round-optic)  
 Luminous Efficacy: 140lm/W  
 Input Voltage: 100-277VAC  
 Color Rendering Index: ≥80Ra  
 LED Type: LM80 3030LEDs  
 Operating Temperature: -20°C to 50°C  
 Power Factor: ≥0.95  
 Mounting Height: 3-8m  
 Color Temperature: Neutral White 4000K  
 (Others available on request)

## Applications:



## Photometric distribution



## Benefits -

- Modern classic design for cost-effective urban lighting

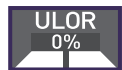
## Key Features -

- Right lighting offering high performance photometry, comfort and safety
- Robust design for maintained performance over time
- Supplied pre-cabled to facilitate its installation
- Various dimming/control options: 3/7 pin NEMA ready or Zhaga socket on request
- High performance lighting with optimised light distributions designed for general open areas





# Victorian - LED Post-top street Luminaire



The Victorian post-top is a traditional looking LED luminaire designed for column/post mounting at heights of between 3-8m. It has a weather-proof design for suitable exterior environments with traditional aesthetic characteristics, such as urban-centres, pathways and pedestrian areas etc. The unit features sturdy one-piece die cast frame and impact proof tempered glass diffuser which protects the LED chips as well as provides a high uniformity across a range of spaces and reduced light spillage, thus further enhancing this 125lm/W efficacy luminaire to give optimum lux levels throughout. The luminaire is powered by a high performance LED driver and furthermore, is compatible with standard mains photocells.

The unit is complete with base mount suitable for 76mm post top entry hence universally compatible. Additional benefits include +60,000 hours maintenance free performance, minimal disturbance to nocturnal wildlife due to the lack of UV/IR spectrum associated with LED photometric characteristics.



Complete 360° illumination for open areas

Standard 3/7 pin NEMA available or Zhaga sockets on request

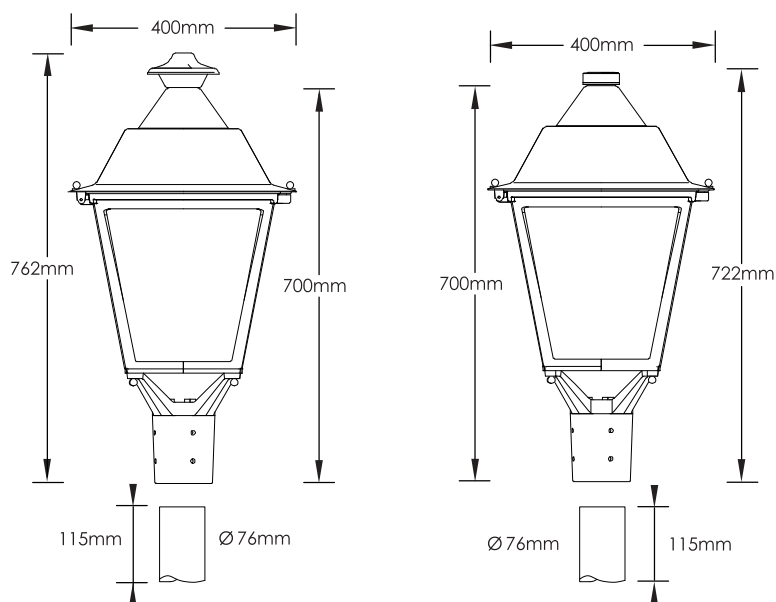
Suitable for Ø76mm column-entry

## Product information

Durable with rated life span L70>60,000 hours / No UV or IR emissions / Instant Illumination & flicker free / Tool-less access for maintenance / UKCA, CE & RoHS international standards / Environmentally friendly & part recyclable: no mercury or other hazardous materials used / Heavy duty die-cast aluminium housing & 5mm tempered glass lens / Complies with EN60598

Code	Nominal Size	Power Consumption	Lumen Output	Nett Weigh	Windage
LSTVPT-030	400mm x 400mm x 762mm	30W	3,750lm	7.1kg	0.16m <sup>2</sup>
LSTVPT-050	400mm x 400mm x 762mm	50W	6,250lm	7.1kg	0.16m <sup>2</sup>
LSTVPT-080	400mm x 400mm x 762mm	80W	10,000lm	7.1kg	0.16m <sup>2</sup>

## Dimensions and mounting



Post-top on a Ø76mm with  
115mm long spigot - 8 x M8 screws

Victorian Post-top

Victorian Post-top c/w  
Standard NEMA Socket

## Technical Specification

Beam Angle: 150° x 150° (All-round-optic)  
Luminous Efficacy: 125lm/W  
Input Voltage: 100-277VAC  
Color Rendering Index: ≥80Ra  
LED Type: LM80 3030LEDs  
Operating Temperature: -20°C to 50°C  
Power Factor: ≥0.95  
Mounting Option: Post-top slip-over - Ø76mm  
Mounting Height: 3-8m  
Color Temperature: Neutral White 4000K  
(Others available on request)

## Applications:



High streets



Educational  
campuses



Plazas



Pathway

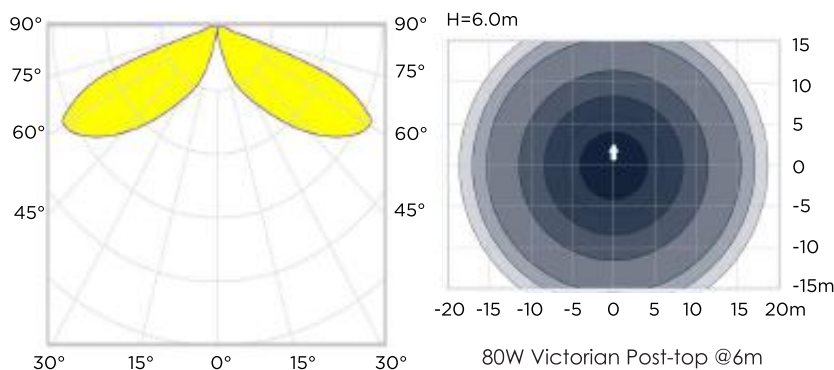


Retail and  
commercial



Parks

## Photometric distribution



## Benefits -

- Heritage design for maintaining ambience and identity

## Key Features -

- Sturdy one-piece die cast aluminium casing to withstand test of time
- Dark sky friendly, no light pollution (ULOR 0%)
- Compatible with post-top mounting on a Ø76mm Column
- Various dimming/control options: 3/7 pin NEMA ready or Zhaga socket on request
- High performance lighting with optimised light distributions designed for general open areas

# Doha - LED Cylindrical Street Luminaire



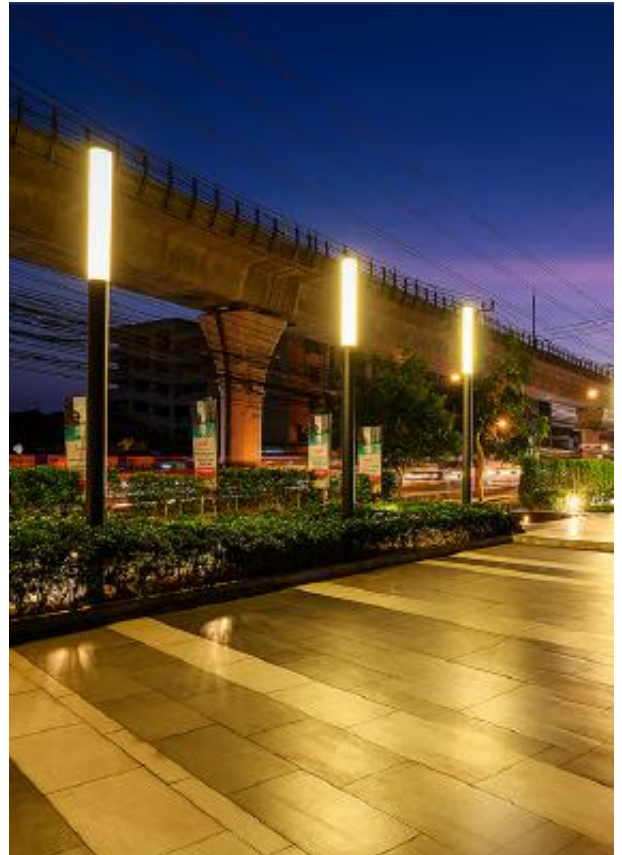
A professional lightstack, Doha provides dynamic architectural illumination. It also provides opportunities beyond just illumination. With an elegant design, Doha is available in multiple column and glazing configurations providing decorative illumination for public realm and open spaces.

### Benefits -

- Available in 2 light source heights - Doha or Doha Max - to proportionately mix and match to desired base column height with the surrounding environment

### Key Features -

- UV-stabilised opal PMMA diffuser offering higher light transmission and scratch resistance compared to polycarbonate
- High-quality aluminium column providing seamless transition lines between diffuser and column, complete with flush maintenance access door
- RGBW light engine available to dynamically enhance your environment with colour
- Further personalisation available with bespoke laser-cut glazing attachments or aviation-grade diffuser graphics



### Technical Specification

Input Voltage: 100-277VAC  
 Driver Option: 24V Constant Voltage  
 Luminous Efficacy: up to 100lm/W  
 Distributions: Symmetrical  
 Color Rendering Index:  $\geq 80Ra$   
 LED Type: LM80 3030LEDs  
 Operating Temperature:  $-20^{\circ}C$  to  $50^{\circ}C$   
 Power Factor:  $\geq 0.95$   
 Mounting Option: Root mounted / Flange plate  
 Color Temperature: 3000K/4000K/RGBW  
 (Others available on request)

### Applications:



High streets



Educational campuses



Plazas



Retail and commercial



Airport or stadium surrounds



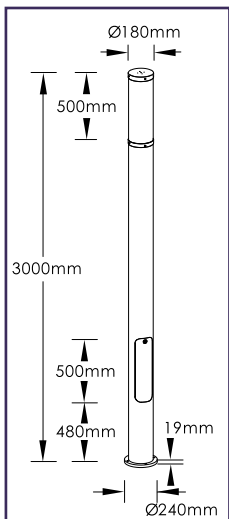
Parks

# Product information

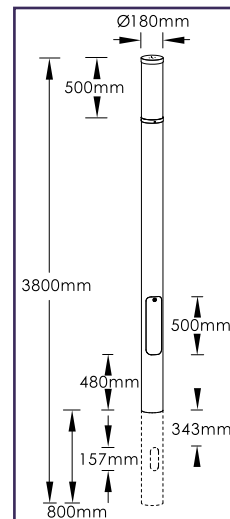
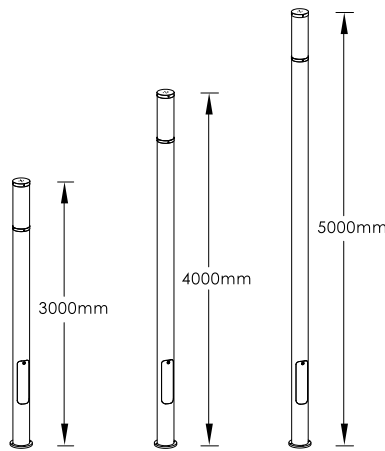
Durable with rated life span L70>50,000 hours / No UV or IR emissions / Instant Illumination & flicker free / UKCA, CE & RoHS international standards / Environmentally friendly & part recyclable: no mercury or other hazardous materials used / Extruded aluminium base, heavy duty die-cast aluminium housing & UV-stabilised PMMA diffuser / Complies with EN60598

Code	Light Source Height	Base Column Height	Power Consumption	Lumen Output	Nett Weight	Windage
LSTDOHA-3000	500mm	2500mm(Flange) 3300mm(Rooted)	30W	3,000lm	23.5kg (Flange) 28.3kg (Rooted)	0.513m <sup>2</sup>
LSTDOHA-4000	500mm	3500mm(Flange) 4300mm(Rooted)	30W	3,000lm	30.5kg (Flange) 35.3kg (Rooted)	0.683m <sup>2</sup>
LSTDOHA-5000	500mm	4500mm(Flange) 5300mm(Rooted)	30W	3,000lm	37.5kg (Flange) 43.7kg (Rooted)	0.853m <sup>2</sup>
LSTDOHA-MAX-3500	1000mm	2500mm(Flange) 3300mm(Rooted)	60W	6,000lm	25.5kg (Flange) 30.3kg (Rooted)	0.615m <sup>2</sup>
LSTDOHA-MAX-4500	1000mm	3500mm(Flange) 4300mm(Rooted)	60W	6,000lm	32.5kg (Flange) 37.3kg (Rooted)	0.785m <sup>2</sup>
LSTDOHA-MAX-5500	1000mm	4500mm(Flange) 5300mm(Rooted)	60W	6,000lm	39.5kg (Flange) 45.7kg (Rooted)	0.955m <sup>2</sup>

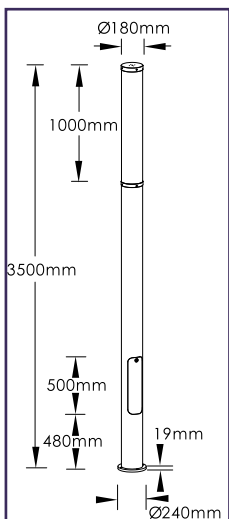
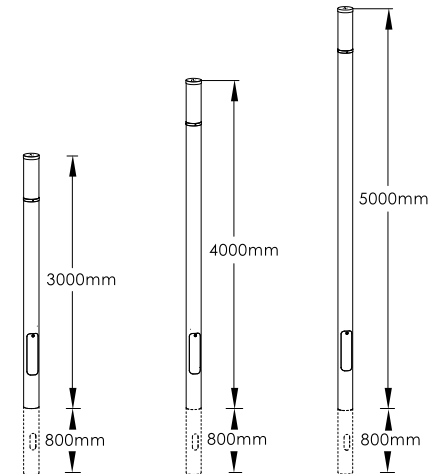
## Dimensions and mounting



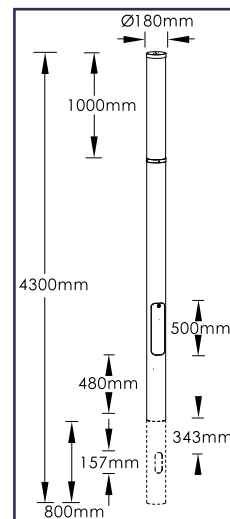
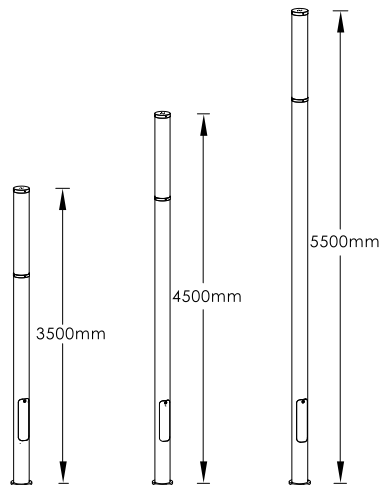
Doha Flange



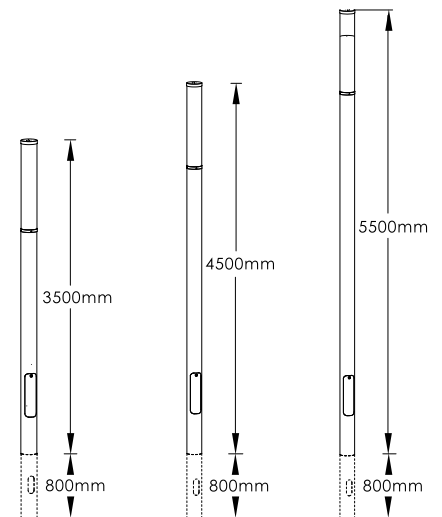
Doha Rooted



Doha Max Flange



Doha Max Rooted





# THE BRIGHT LIGHTING SOLUTION

With a wide range of products to suit commercial, industrial & external applications, dedicated support including 60 minute quotations, 24-hour lighting designs\* & 5pm cut off for next day delivery, we strive to be a market leader in supporting a range of projects in the following:

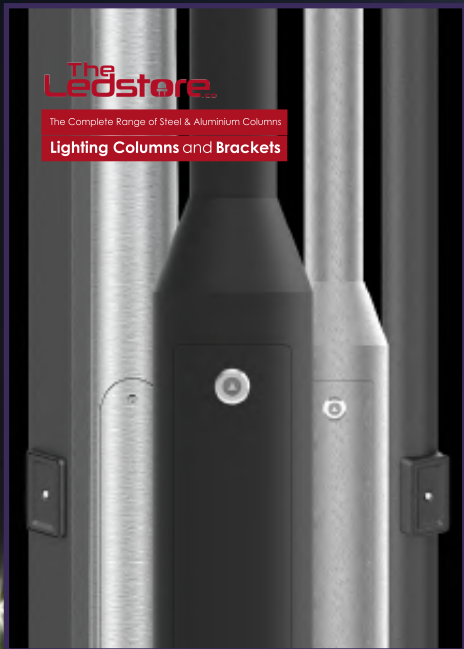
- Office, School & Hospital Sectors
- Industrial, Warehouse & Manufacturing
- Architectural lighting
- Car park and amenity lighting
- Sports lighting including Tennis, Football & Rugby
- High mast lighting

**Find out more. Call us today on 03333 444 943  
or go to [www.theledstore.co](http://www.theledstore.co)**





See our  
Lighting columns &  
Bracket brochure  
for more



# The Ledstore.co

Our innovative portfolio of British designed products suit industrial, commercial, signage and accent applications, with a large selection available from stock for next day distribution from the UK or Europe. Our full range is listed online, as well as information on some of the brand's we've worked with in the past. For more information – simply get in touch with Sedna in the UK/Europe.

**Tel** +44 03333 444 943  
**Fax** +44 03333 444 943  
**Email** [sales@theledstore.co](mailto:sales@theledstore.co)  
**Web** [www.theledstore.co](http://www.theledstore.co)

**HEA**  
Highway Electrical Association

