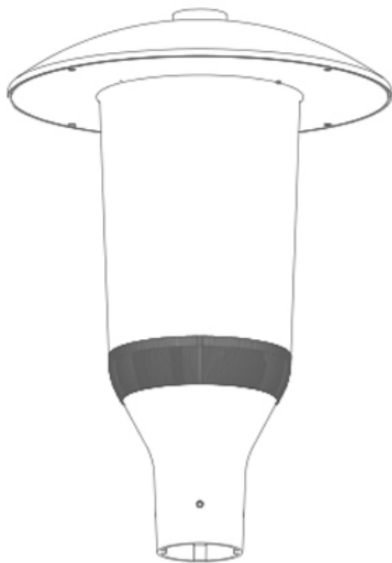

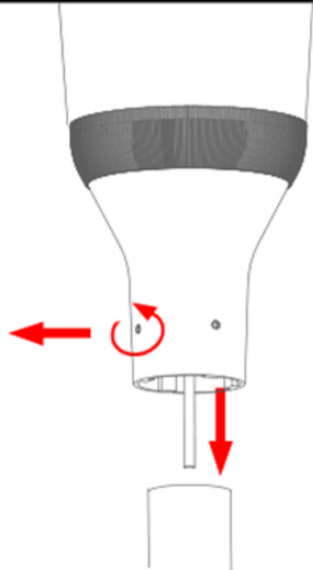
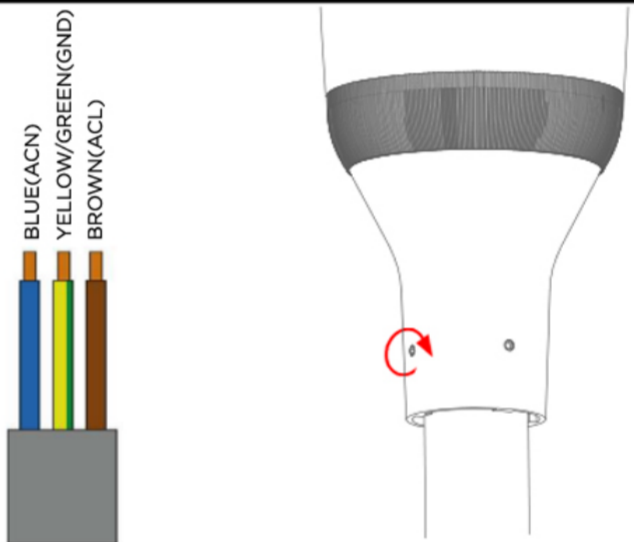


30W LED Post Top Lantern

Easy Installation and Maintenance

<p>1</p>  <p>Remove the product from its packaging.</p>	<p>2</p>  <p>Fit dusk till dawn photocell sensor on the name socket. Twist clockwise to lock it.</p>
<p>3</p>  <p>Loosen grub screws. Feed supply cable in to colum and position the luminaire head.</p>	<p>4</p>  <p>Connect power cable and waterproof measures to maintain the same IP rating. Tighten grub screws to lock the luminaire head in position.</p>
<p>5</p> 