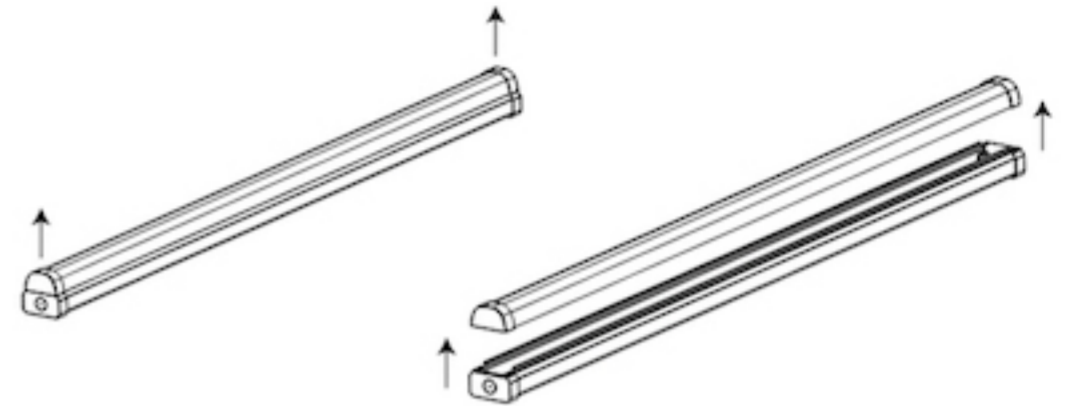


LED Linear Batten Fitting

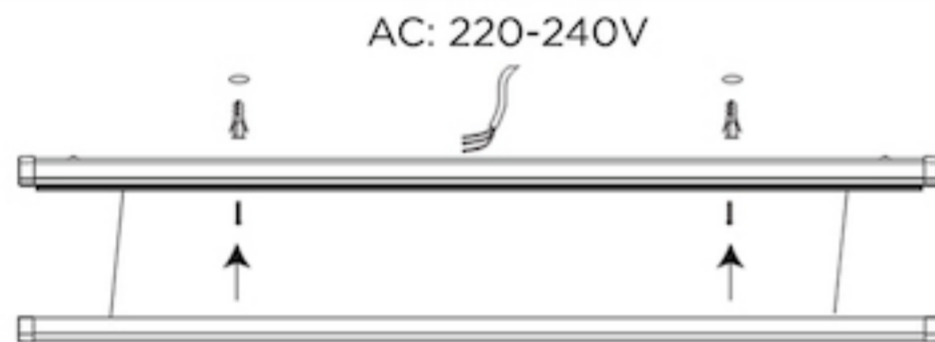
Easy Installation and Maintenance



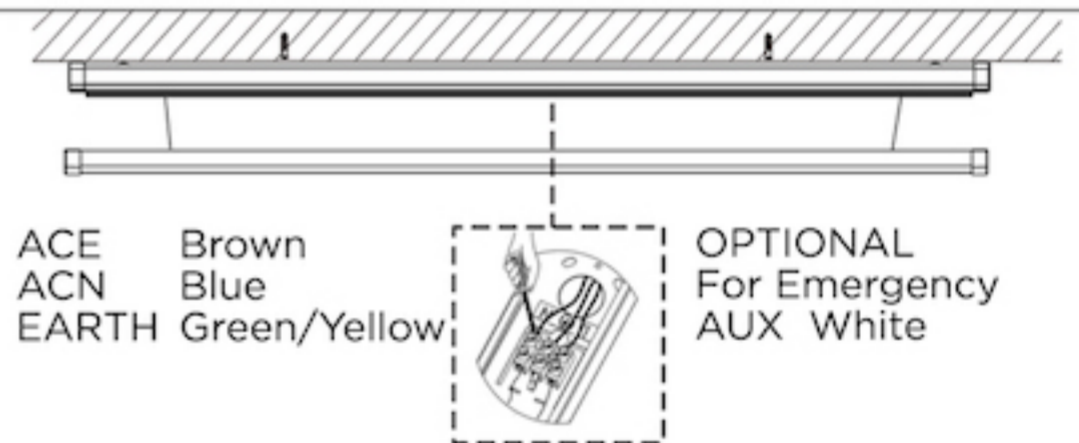
1. Drill holes on the wall/surface using the fixing points or BESA plates.



2. Press the sides of the base and gently remove the front cover/diffuser. LED Batten Fitting has safety straps inside for hands free maintenance.



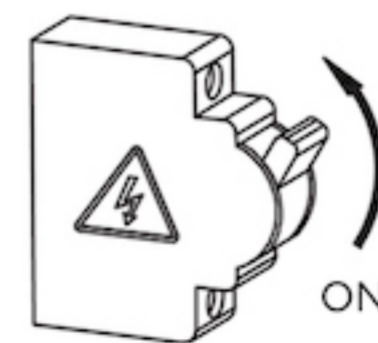
3. Install plastic plugs into the drilled holes. Feed the cable from the backside of the fitting. Using the screws install the backside of the fitting on the wall/surface.



4. Connect the mains supply wire to the fitting. Ensure the wires are secure and no bare wires are exposed.



5. Gently push fit the front cover/diffuser to the backside fitting until you hear a click sound. Ensure the fitting is properly fixed.



6. Switch ON the power to test the light.